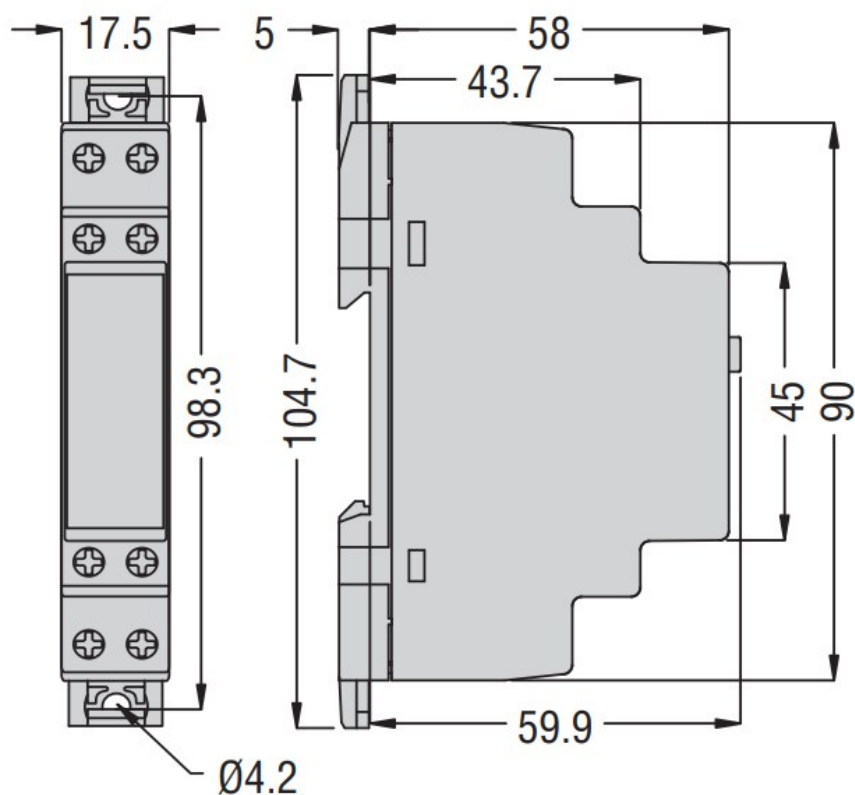




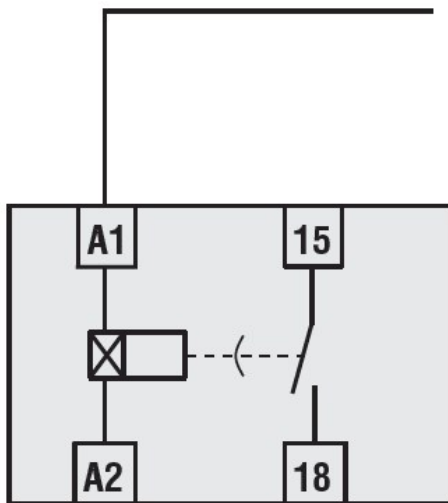
Product designation	Time relay		
Product type designation	TMAST		
Number of DIN modules	1		
General characteristics			
Description	Astronomical time relay. 1 relay output, with NFC technology and APP, modular version, 220...240VAC		
Function	Astronomical time relay		
Supply circuit			
Rated auxiliary supply voltage U_s	220...240VAC		
Rated frequency	Hz	50/60	
Operating voltage range	0.85...1.1 U_s		
Maximum power consumption / dissipation	W	7VA/1W	
Immunity time for microbreakings	ms	≤25	
Timing circuit			
Time setting range	0.1s...999days		
Repeat accuracy	%	<±1.0	
Influence of temperature variation	%	<±1.0	
Relay outputs			
Number of relays	Nr.	1	
Contact arrangement	1 delayed N/O		
Maximum switching voltage	VAC	250	
IEC Conventional free air thermal current $I_{th} \leq 40^\circ\text{C}$	A	8	
UL/CSA and IEC/EN 60947-5-1 designation	B300		
Insulation (input-output)			
Rated insulation voltage U_i	V	250	
Rated impulse withstand voltage U_{imp}	kV	4	
Power frequency withstand voltage	kV	2	
Connections			
Terminals type	Screw		
Tightening torque (Max)		Tightening torque Max	Nm 0.8
		Tightening torque Max	Ibin 7 / 7...9 UL
Conductor section	AWG/Kcmil	min	24...12
		max	12...18
	IEC	min	mm ² 0.2
		max	mm ² 4
Operations			

Mechanical life	cycles	30000000
Electrical life (with rated load)	cycles	100000
Ambient conditions		
Temperature		
Operating temperature		
	min	°C -20
	max	°C +60
Storage temperature		
	min	°C -30
	max	°C +80
Relative humidity	%	<90%
Maximum Pollution degree		2
Overvoltage category		III
Housing		
Execution (n° of modules)		1
Material		Self-extinguishing polyamide
Mounting		DIN rail 35 mm
Degree of protection		IP40 on front, IP20 terminals
Dimensions (W x H x D)	mm	17.5 x 104.7 x 64.9
Weight	g	70

Dimensions



Wiring diagrams



Certifications and compliance

Compliance

IEC/EN 61812-1

Certificates

CCC

CE

EAC

UKCA

ETIM classification

ETIM 8.0

EC001439 -
Timer relay