



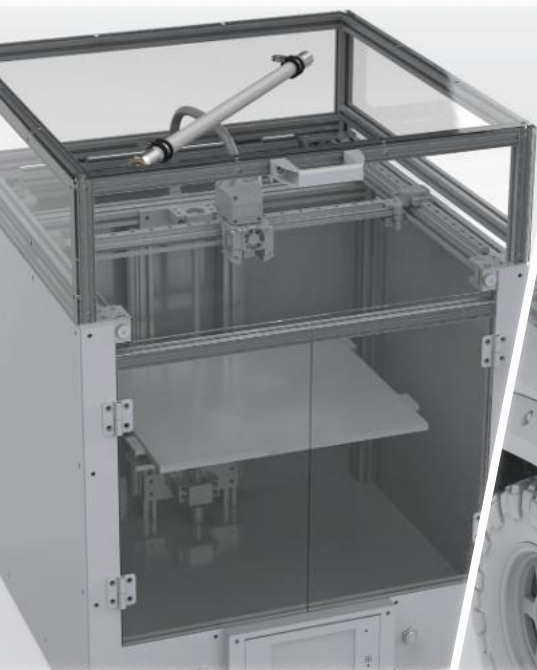
Automatic Fire Suppression Systems

T Series

FK Clean Agent

BLAZE CUT
Automatic fire suppression system
PLEASURE BOATS • SMALL VEHICLES • MACHINES • ELECTRICAL CABINETS
T Series

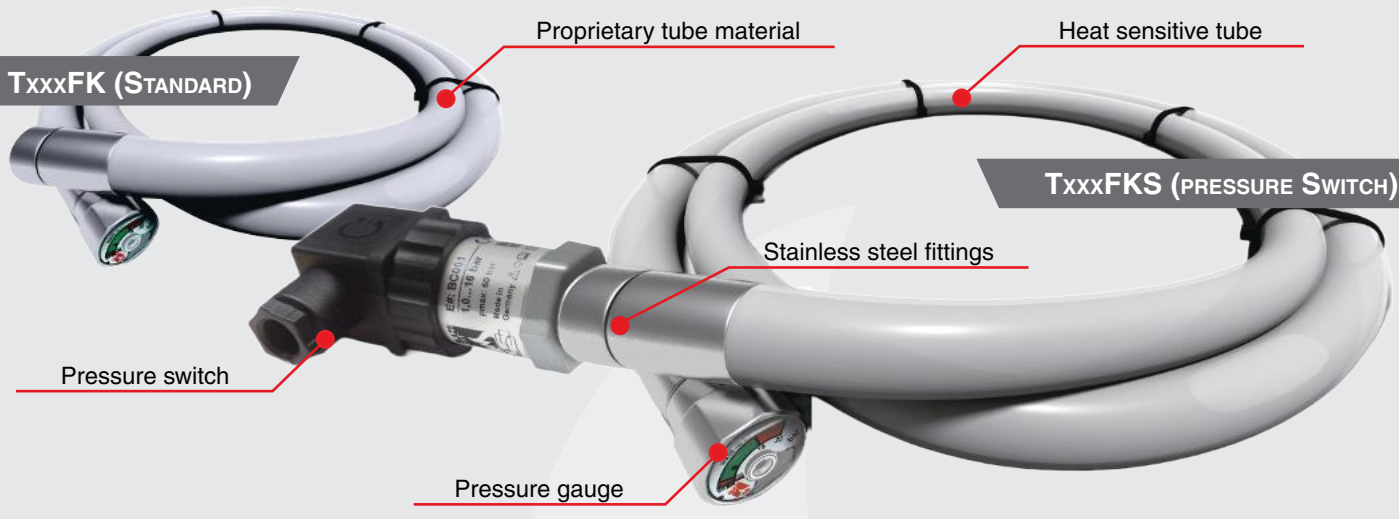
Independence of power supply
Long Durability
Non-toxic Safe for life
Automatic activation
Small & flexible
Easy installation
Clean, Low cost
Maintenance free
Cost-effective



Smarter Solutions with Cutting-Edge Technology

BLAZE CUT TECHNOLOGY

BlazeCut has globally pioneered cylinder-less fire suppression systems with the BlazeCut T Series systems. The BlazeCut T Series system consists of a heat-sensitive tube made of specialized plastic and closed with stainless steel fittings on each end. The tube serves as both a fire detection network and a storage receptacle for the extinguishing agent, so no additional storage device, such as a cylinder, is needed.



SYSTEM OPERATION

The BlazeCut T Series system is designed to protect small enclosed or semi-enclosed spaces. The BlazeCut T Series system operates automatically without any external power source*.

In case of fire, the tube ruptures, creating a nozzle closest to the fire source. The tube with a clean gas agent inside then releases the agent through that nozzle directly onto the fire. **The tube (filled with FK-5-1-12 agent) is allowed to be mounted only in horizontal position.**

*TxxxFK does not require external power source
TxxxFKS and TxxxFKS-E requires power for pressure switch operation



OPTIONAL COMPONENTS

The T Series systems can be fitted with a pressure switch. This allows for the installation of additional components into the system. The pressure switch sends a signal to the BlazeCut alarm panel and/or to a wide range of audio-visual signalling devices for indoor and outdoor applications. A wide range of options is available to best fit the needs of each application.



PRESSURE SWITCH
The integrated pressure switch monitors the pressure and sends a signal if the pressure drops under a preset value or if the system discharges in the event of a fire. The system must be ordered with a pressure switch already installed. Available in (TxxxFKS) and economical (TxxxFKS-E) version.

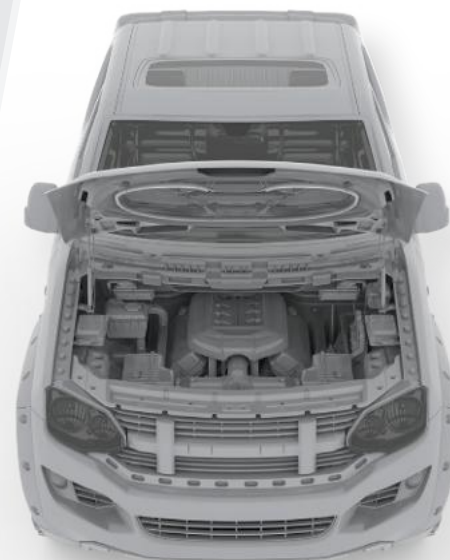


ALARM PANEL
The BlazeCut Alarm Panels AAP310 and AAP400 are simple and effective optional devices for monitoring system status and component functionality, with audible and visual fire signalling.



SYSTEM FEATURES

- ▶ **Small & flexible** – high flexibility of BlazeCut tube with A, B, C and electrical fires-class rating can protect most spaces
- ▶ **No cylinder for storage required** – the whole system can be placed inside the protected enclosure as there is no cylinder
- ▶ **Cost-effective** – long working life, automatic activation and zero maintenance beat the competition in cost-effectiveness
- ▶ **Optional pressure switch** – and other additional components like signalling unit to perform further safety functions
- ▶ **Clean and effective extinguishing agent**
- ▶ **No pressurisation needed** – the system works by increasing the pressure of the extinguishing agent when heated.
- ▶ **Maintenance-free** – throughout the system's lifetime means zero maintenance costs
- ▶ **Fully independent** – system is operational 24/7 without any power supply
- ▶ **Harmless upon discharge** – no damage caused to equipment inside or people's health outside the enclosure
- ▶ **Automatic operation based on increased temperature** – ideal for unattended or out-of-sight spaces
- ▶ **Pressure gauge** – constantly monitoring the system pressure – can be checked at any time
- ▶ **Long working life** – up to 10 years depending on the type of application
- ▶ **Simple installation** – no pressurisation required for installation



SPECIFICATION AND MODELS

The required system parameters are easy to determine – simply by measuring the width, height, and depth of the enclosed space within the application, and by multiplying the measurements to calculate the volume of the enclosure to be protected. Then, to select the suitable system size & model, just refer to the chart below for the maximum volume protected in electrical or engine applications.

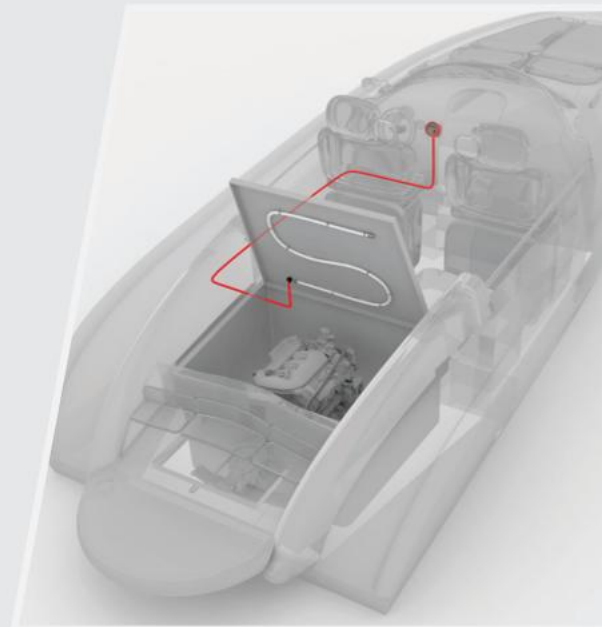
Note: The protected space should be enclosed with limited or no ventilation. The T Series system is not suitable for open areas.

Model	Maximum volume protected at 20°C electrical fires**	Maximum volume protected at 20°C engine fires**	Amount of agent	System length	Operation temperature	Activation temperature	Gross weight of the system
T025FK	0.08 m ³	0.06 m ³	0.05 kg ± 2 g	28 cm	0°C to +110°C	142°C ± 3°C	0.21 kg
T050FK	0.18 m ³	0.13 m ³	0.12 kg ± 2 g	53 cm			0.31 kg
T100FK	0.41 m ³	0.31 m ³	0.27 kg ± 2 g	113 cm			0.53 kg
T200FK	0.81 m ³	0.61 m ³	0.53 kg ± 5 g	215 cm			0.90 kg
T300FK	1.21 m ³	0.91 m ³	0.80 kg ± 5 g	319 cm			1.28 kg
T400FK	1.61 m ³	1.21 m ³	1.06 kg ± 5 g	422 cm			1.67 kg
T025FKS	0.08 m ³	0.06 m ³	0.05 kg ± 2 g	35 cm	0°C to +100°C		0.34 kg
T050FKS	0.18 m ³	0.13 m ³	0.12 kg ± 2 g	60 cm			0.43 kg
T100FKS	0.41 m ³	0.31 m ³	0.27 kg ± 2 g	120 cm			0.66 kg
T200FKS	0.81 m ³	0.61 m ³	0.53 kg ± 5 g	222 cm			1.03 kg
T300FKS	1.21 m ³	0.91 m ³	0.80 kg ± 5 g	326 cm			1.41 kg
T400FKS	1.61 m ³	1.21 m ³	1.06 kg ± 5 g	429 cm			1.81 kg
T025FKS-E	0.08 m ³	not suitable	0.05 kg ± 2 g	31 cm	0°C to +80°C	0.24 kg	
T050FKS-E	0.18 m ³	not suitable	0.12 kg ± 2 g	56 cm		0.33 kg	
T100FKS-E	0.41 m ³	not suitable	0.27 kg ± 2 g	116 cm		0.56 kg	
T200FKS-E	0.81 m ³	not suitable	0.53 kg ± 5 g	218 cm		0.93 kg	
T300FKS-E	1.21 m ³	not suitable	0.80 kg ± 5 g	322 cm		1.31 kg	
T400FKS-E	1.61 m ³	not suitable	1.06 kg ± 5 g	425 cm		1.71 kg	

** Calculated at a 4.5% (Electrical Fires) and 5.9% (Engine Fires) design concentration and an ambient temperature of 20°C for the enclosure. Please note the coverage potential will be reduced in lower temperatures. Please contact your local BlazeCut agent for further information.

TRIPARTITION

- ▶ **Machinery and outboard engines**
- ▶ **Engine compartments of road vehicles** (cars, etc.)
- ▶ **Engine compartments of other vehicles** (mowers, etc.)
- ▶ **Metal machinery** (size forklifts, excavators, skid steer loaders, sweepers, cranes, etc.)
- ▶ **Electrical switchboards** (supply sources, battery compartments, car batteries, inductors, MCC cabinets)
- ▶ **Other enclosed applications** (audio-video equipment, ATMs, electric fuel bowsers, 3D printers, etc.)



EXTINGUISHING AGENT

FK-5-1-12 extinguishing agent used in the BlazeCut T Series for volume fire suppression. The agent siphons heat from the fire, alters the chemical chain reaction of burning, slows and stops the whole process, effectively extinguishing the fire.

It is not toxic or poisonous and has no carcinogenic or mutagenic effects, so it is safe for people. It is the agent of choice in protecting enclosures for advantages, such as:

- ▶ A, B, C and electrical fires
- ▶ Electrically non-conductive
- ▶ Non-corrosive
- ▶ Resistant to temperature changes
- ▶ Siphons heat
- ▶ Leaves no residue
- ▶ No clean-up necessary
- ▶ No damage to the equipment
- ▶ Zero ozone-depleting potential
- ▶ Almost zero global warming potential



CONTACT EMAIL :
sales@blazecut.com
+421 905 744 606

MANUFACTURING / SALE :
BlazeCut s.r.o., Bratislava Metropolitan Area
Slovakia

DEALER / DISTRIBUTOR : BlazeCut has a global network of dealers and distributors. To find your nearest dealer, or to become one, please contact BlazeCut.

