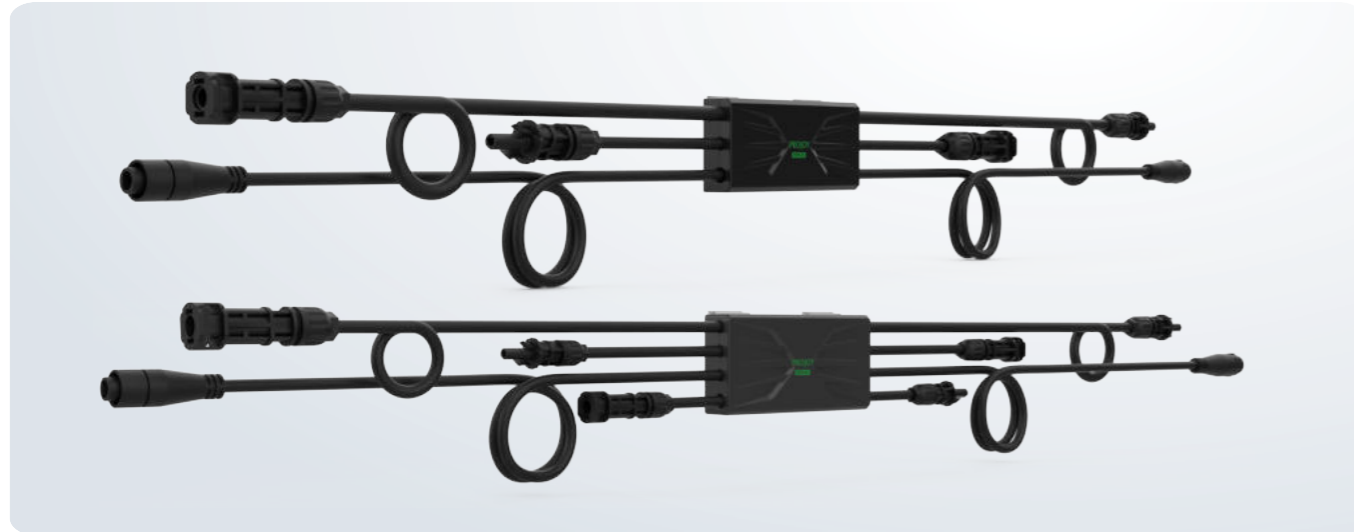


PEFS Series

Rapid Shutdown (DC24V)

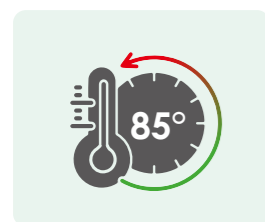


High Craftsmanship and Standards

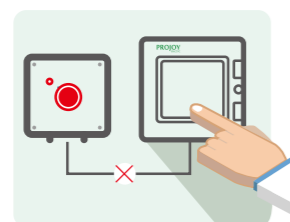
| | | | |
|---|----------------------------|---|--|
| | | | |
| Over temperature protection $\geq 85^{\circ}\text{C}$ | Max 20A support | Flame retardant: UL94-V0 | Ingress protection: $> \text{IP68} / \text{NEMA 4X}$ |
| | | | |
| Anti-interference with high reliability and stability | long lifespan for 25 years | Compatible with all inverters, Slim EMC Design, Easy Installation | Compatible with diad and triad pv modules |

Tripping Ways

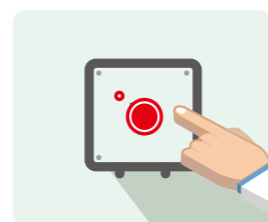
Temperature Rise Trigger



AC Supply Cut-Off



Manual Operation



Technical data

| Type | PEFS-PL80S-11 | PEFS-PL80S-21 | PEFS-PL120S-11 | PEFS-PL120S-21 |
|-------------------------------|--------------------------------------|---------------|-----------------|----------------|
| Number of PV Inputs | 1 | 2 | 1 | 2 |
| Number of Modules Recommend | 1 | 2 | 2 | 4 |
| Maximum Allowed Input Voltage | 80V | 80V | 120V | 120V |
| Maximum Allowed Input Current | 20A | | | |
| Maximum Output Voltage | 80V | 160V | 120V | 240V |
| System Voltage | 1000V / 1500V | | | |
| Control Compliance | 24VDC + 2 x 0.8mm ² Cable | | | |
| Control Requirements | 17 V~28 V at nomi. 20 mA/unit | | | |
| Ambient Operating Temperature | -30° C to +80° C | | | |
| Protection Temperature | 85° C | | | |
| IP Level | $> \text{IP68}$, NEMA 4X | | | |
| Fire-proof Level | Flame retardant, UL94-V0 | | | |
| Humidity | 0%~90% | | | |
| PV Connectors | MC4 (Customized) | | | |
| Design Life Span | 25 years | | | |
| Size | 120*51.9*22.4mm | 120*59*22.4mm | 120*51.9*22.4mm | 120*59*22.4mm |
| Weight | $< 200\text{g}$ (Excluding Cables) | | | |

| Cable Length | Option I | | | |
|---------------------|---|---------------|---------------|---------------|
| PV1+ Input | 120mm | 600 mm | 120 mm | 600mm |
| PV1- Input | 120mm | 600 mm | 120 mm | 600mm |
| PV2+ Input | / | 600 mm | / | 600mm |
| PV2- Input | / | 600 mm | / | 600mm |
| Power Output | 1200mm+1200mm | 1200mm+1200mm | 2400mm+2400mm | 2400mm+2400mm |
| 24Vdc Control Cable | 1200mm+1200mm | 1200mm+1200mm | 2400mm+2400mm | 2400mm+2400mm |
| Standard Compliance | NEC2017/2020 (690.12); UL1741; UL3741; IEC/EN62109; IEC/EN61000 | | | |

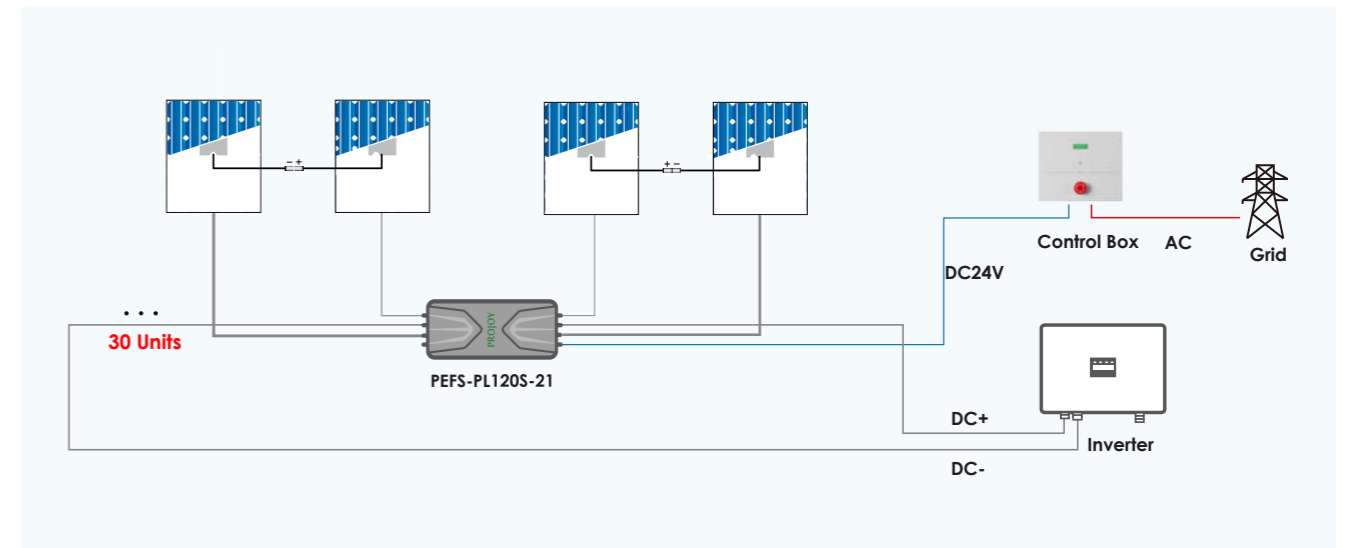
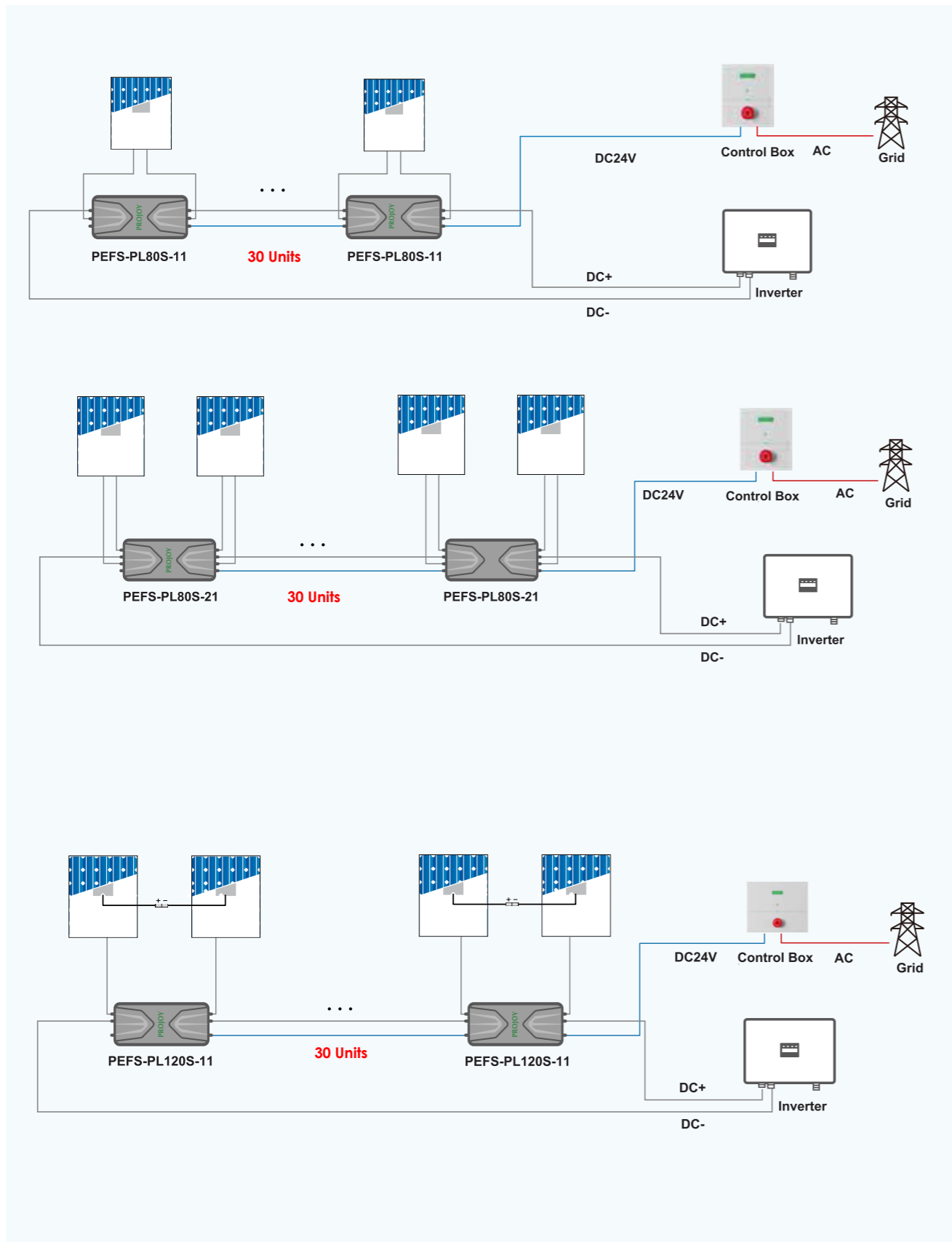
| Cable Length | Option II | | | |
|---------------------|---|---------------|---------------|---------------|
| PV1+ Input | 120mm | 600mm | 1200mm | 1500mm |
| PV1- Input | 1200mm | 1200mm | 1200mm | 2400mm |
| PV2+ Input | / | 1200mm | / | 2400mm |
| PV2- Input | / | 600mm | / | 1500mm |
| Power Output | 1250mm+1250mm | 1250mm+1250mm | 1250mm+1250mm | 2450mm+2450mm |
| 24Vdc Control Cable | 1250mm+1250mm | 1250mm+1250mm | 1250mm+1250mm | 2450mm+2450mm |
| Standard Compliance | NEC2017/2020 (690.12); UL1741; UL3741; IEC/EN62109; IEC/EN61000 | | | |

*Suitable for vertical photovoltaic modules

*If the length of cable is not enough, extension cables of 0.6m, 1.2m, 1.8m and 2.4m can be used.

PEFS-PL Series

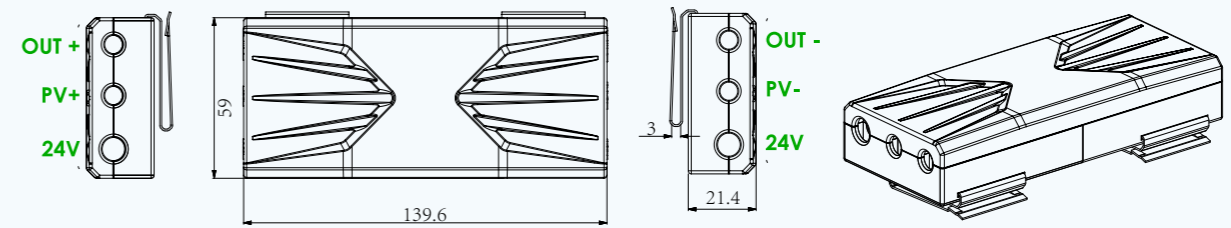
PEFS-PL Series



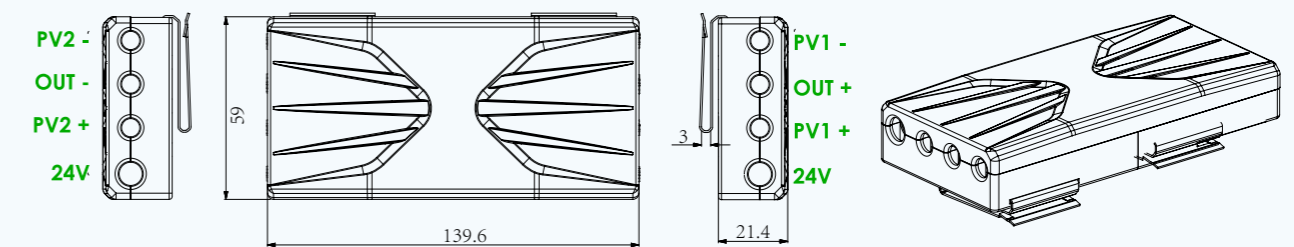
Dimension

PEFS-PL80S-11
PEFS-PL120S-11

(Unit: ±0.5 mm)



PEFS-PL80S-21
PEFS-PL120S-21



PEFS Series

Rapid Shutdown Control Box (DC24V)



High Craftsmanship and Standards



Comply with NEC2017 / NEC2020(690.12) and Sunspec RSD requirements



Flame retardant: UL94-V0



lockable, avoiding mis-action



UL 1741 PVRSE compliance
UL 3741 PVRSS compliance



Up to 480 pcs of modules under controller



Ingress protection IP65

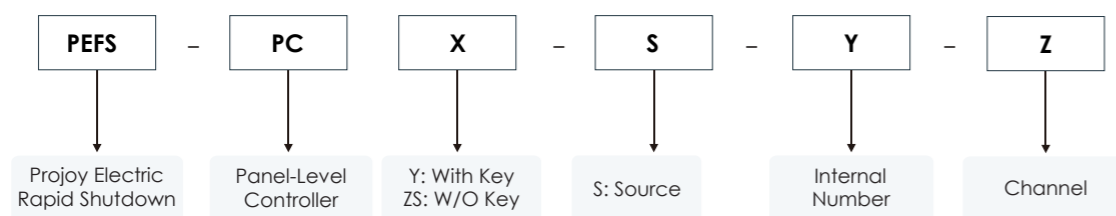


Max 50°C, No power degradation



Anti-interference, stable & reliable

Select Code



Technical data

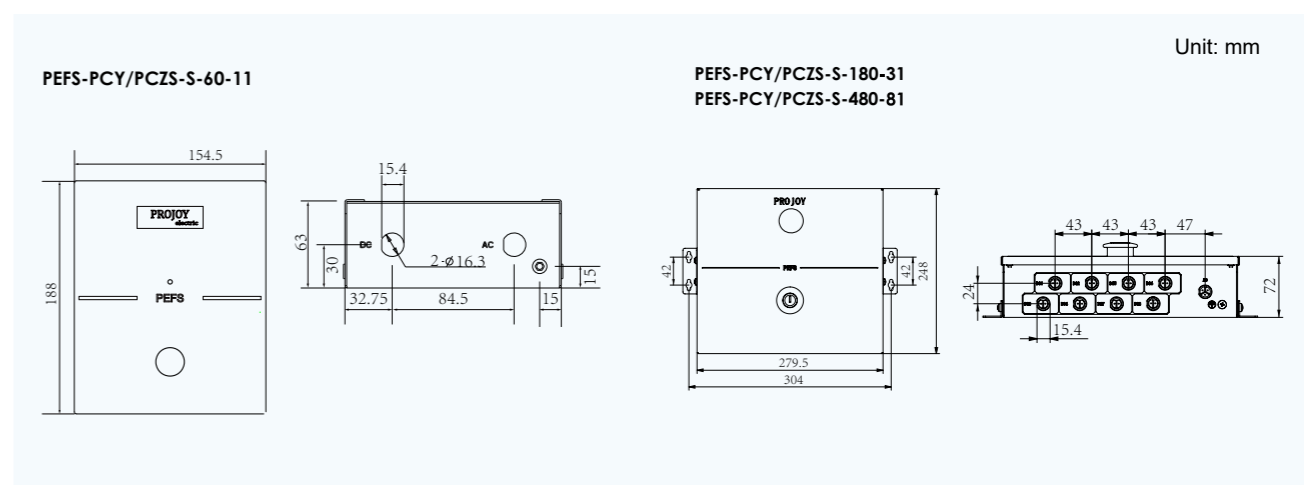
Control Box

| Model | PEFS-PCY/PCZS-S-60-11 | PEFS-PCY/PCZS-S-180-31 |
|--|-----------------------|---|
| Operating AC Voltage Range | 100-240V | 180V-264V |
| Normal Frequency | | 50/60 Hz |
| Output Voltage | | 24V DC |
| Output Current | 2.2A | 8.8A(3 Channels) |
| 24Vdc Control Cable Size | | 0.823 mm ² / 18 AWG |
| 24Vdc Control Cable Length With Standard Connectors | | 20 m / 30 m / 100 m |
| Spare Terminal Connectors | | Yes |
| Maximum PEFS-PL | 30 Units | 3*30 Units |
| Dimensions (mm) | 155*188*63 | 248*280*72 |
| With Lock | | Optional |
| Operating Temperature Range | | 30°C~+55°C (Can work for 8 hours at 70°C) |
| Protection Class | | IP65 |
| Mounting | | Wall Mounted |
| Maximum Distance (From controller box to the terminal RSD) | | 250m |

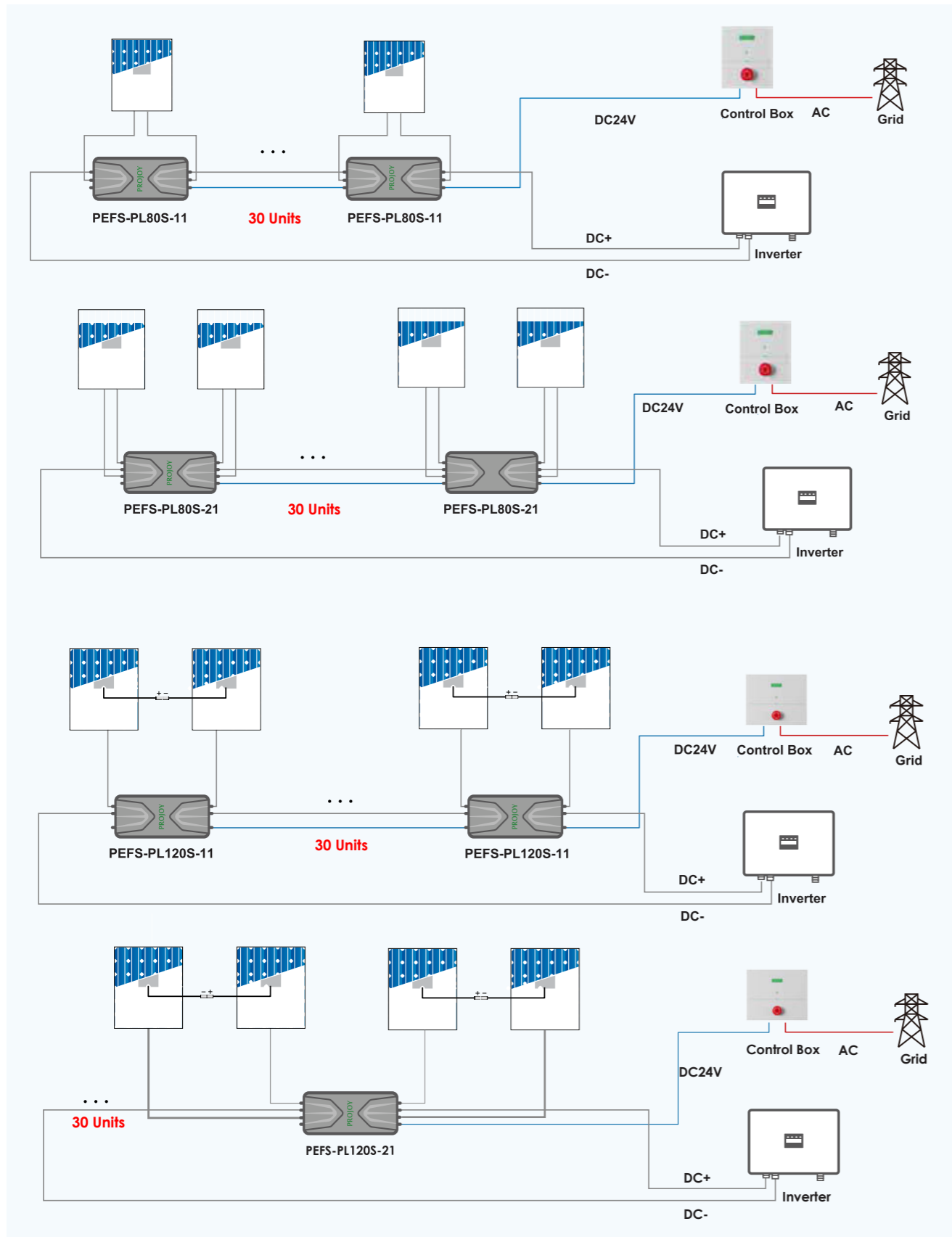
Control Box

| Model | PEFS-PCY/PCZS-S-480-81 |
|--|---|
| Operating AC Voltage Range | 180 V-264V |
| Normal Frequency | 50/60 Hz |
| Output Voltage | 24V DC |
| Output Current / Per String | 17.6A(8 Channels) |
| 24Vdc Control Cable Size | 0.823 mm ² / 18 AWG |
| 24Vdc Control Cable Length With Standard Connectors | 20 m / 30 m / 100 m |
| Spare Terminal Connectors | Yes |
| Maximum PEFS-PL | 8*30 Units |
| Dimensions (mm) | 248*280*72 |
| With Lock | Optional |
| Operating Temperature Range | 30°C~+55°C (Can work for 8 hours at 70°C) |
| Protection Class | IP65 |
| Mounting | Wall Mounted |
| Maximum Distance (From controller box to the terminal RSD) | 250m |

Dimension



Diagram



Diagram

