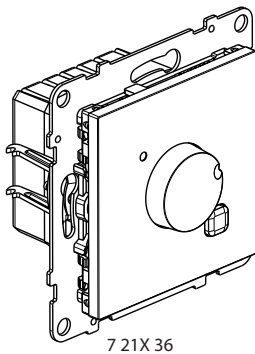


**Suno™**  
**THERMOSTAT (NORMAL)**  
 German standard

Cat. No(s): 7 21X 36



7 21X 36

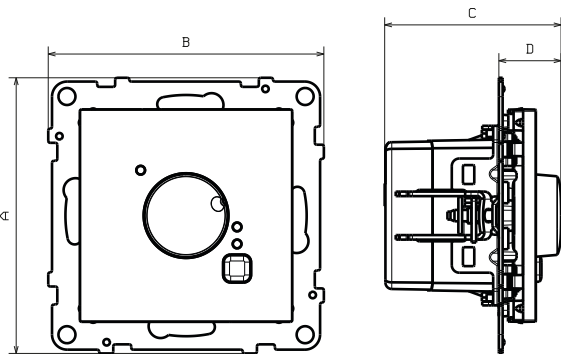
**1. USE**

Regulation control heating equipment or cooling system.  
 Mechanisms to be equipped with finishes

**2. RANGE**

Description	White	Ivory	Aluminium	Black
Electronic room thermostat with sensor.	7 211 36	7 212 36	7 213 36	7 214 36

**3. DIMENSIONS (mm)**



References	A	B	C	D
7 21X 37	72,9	72,9	46,65	16,45

**4. CONNECTION**

Number of terminals:  
5

Type of terminals:  
with screws

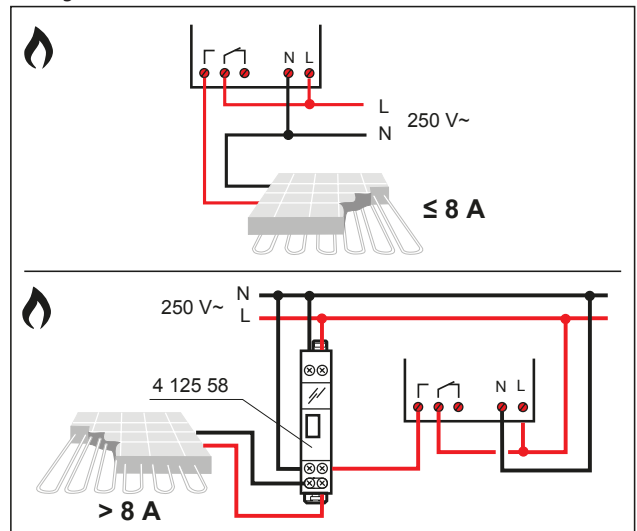
Terminal capacity:  
2 x 1.5 mm<sup>2</sup> flexible or rigid cable

Stripping length:  
6 mm

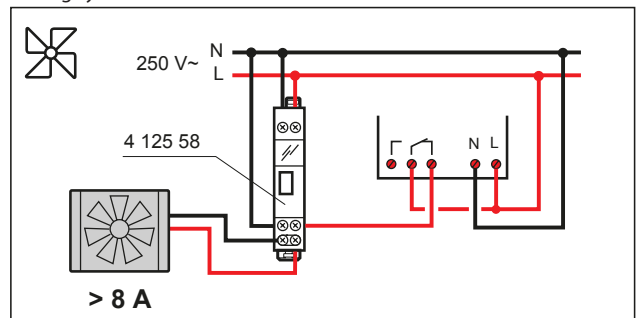
Tool:  
flat screwdriver 3.5 mmv

**5. WIRING**

Heating:



Cooling system:



## 6. FUNCTION

The thermostat (heating/cooling) is equipped with a temperature sensor and provides a changover relay switched depending on the ambient temperature

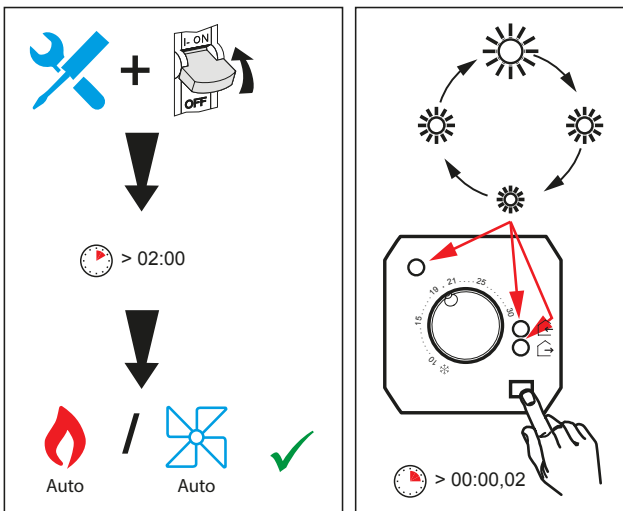
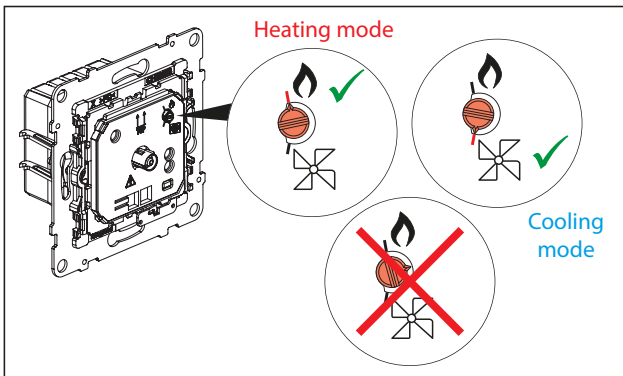
The regulation is ensured by an algorithm with a pulse-width controlled output (0...100% thus ensuring a minimal temperature variation relative to the ambient temperature

Setting range 10-30 °C by using the rotary knob

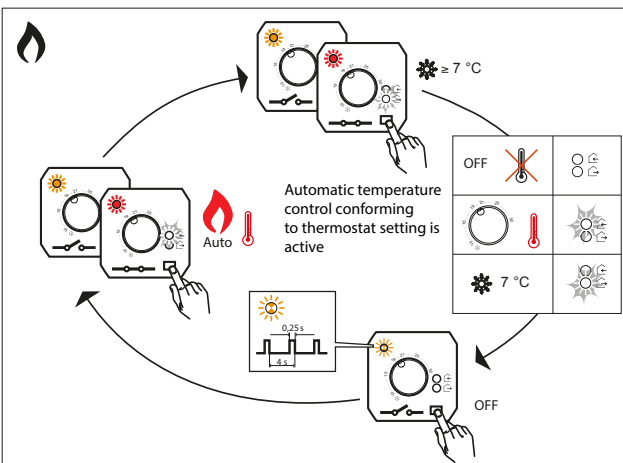
A short press on the "select" button cycles between the modes comfort -> frost -> off -> comfort and so on.

A long press on the "select" button adjusts the brightness of the LEDs.  
Regulation accuracy: < 0.5° C for a conventional installation and maximum load of 8 A

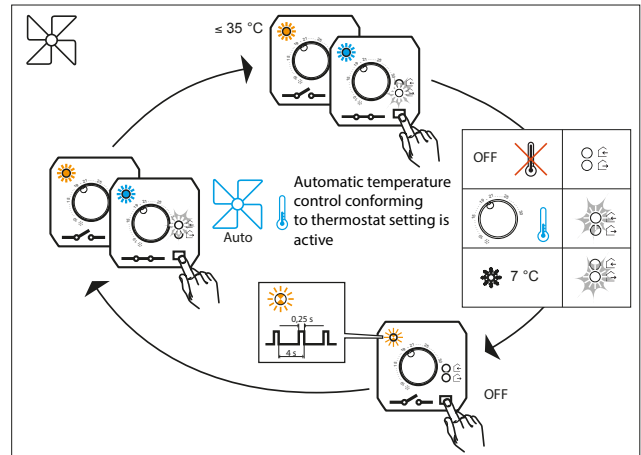
Heating/cooling change by rotating knob under the frontcover



Heating mode:



Cooling mode:



Legend LED



## 7. TECHNICAL CHARACTERISTICS

### 7.1 Mechanical characteristics

Protection against solid bodies and liquids: IP 21  
Protection against impacts: IK 04

### 7.2 Material characteristics

Polycarbonate  
Colours: - White RAL 9003  
- Ivory RAL 1013  
- Painted aluminium (C010B)  
- Painted black (C014A)  
Material: - Thermostat cover plate: ABS  
- Mechanism casing: PC  
- Support: PC grey RAL 7037 + metal  
- Claws: Steel

Halogen free

UV resistant

Self-extinguishing:

+ 850° C / 30 s for insulating parts holding live parts in place  
+ 650° C / 30 s for other parts made of insulating materials.

### 7.3 Electrical characteristics

Voltage: 250 V~

Current: 16 A

Frequency: 50/60 Hz

### 7.3 Climatic characteristics

Storage and usage temperature: - 10° C to + 70° C

Cooling temperature: - 5° C to + 40° C

## 8. CLEANING

Surface cleaning with a cloth.

Do not use:

Acetone, tar remover, trichloroethylene.

Maintenance with the following products:

Hexane (EN 60669-1), Methylated spirit, Soapy water, Diluted ammonia, pure bleach diluted to 10%, Window-cleaning products, pre-impregnated wipes.

**Caution:** A preliminary test should be carried out if other specific cleaning products are to be used

## 9. STANDARDS AND APPROVALS

Compliance with standards of installation and manufacturing.

Refer to e-catalogue.