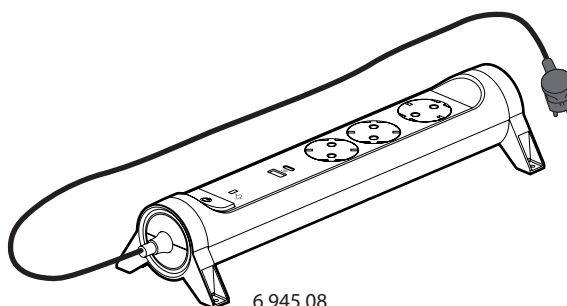
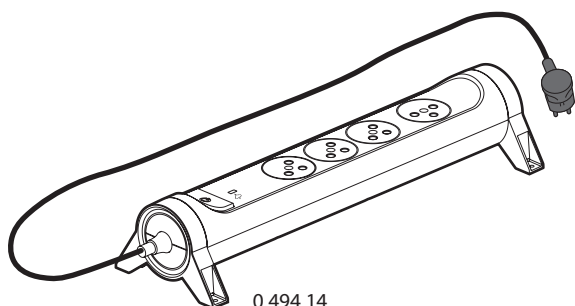


Rotating multi-outlet extensions with switch and SPD, with or without USB

Cat. No(s): 0 494 14/15/16/17/18/19/20/21/22/23/24/25/26/27/28/29
 6 945 07/08/09/10/11/12/13/14



1. USE

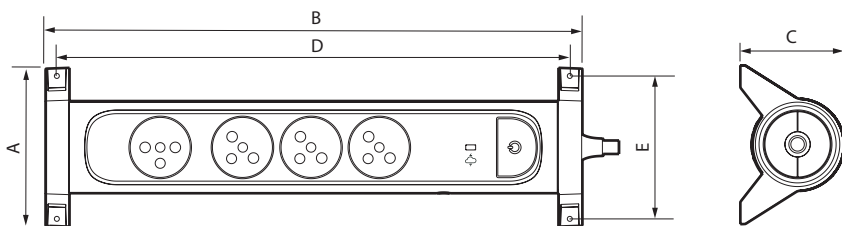
Multi-outlet extensions: 3, 4, 5 and 6 flush sockets with shutter, with 2P+E plug, equipped with a cord.
 Socket unit which pivots on its axis, incorporating an ON/OFF switch with LED indicator, with recesses at a 45° angle (except for 1 at 90° for connecting a transformer).
 Wired and equipped with a 1.5 m cord fitted with a 2P+E plug (H05VVf 3 G 1 mm² or 1.5 mm²).
 With SPD: protects electrical and electronic appliances against lightning and overvoltages.
 With indicator showing the SPD status.
 With USB Type-A + USB Type-C charger (3 x 2P+E and 5 x 2P+E sockets).
 Can be fixed with screws onto a wall, piece of furniture, work surface.

2. RANGE

FRENCH-BELGIAN STANDARD	Cable length 1.5 m 3 G 1.5 mm ²		Cable length 1.5 m 3 G 1 mm ²	
	White/Black	Black	White/Black	Black
4 x 2P+E + SPD + cable	0 494 14	0 494 22	0 494 15	0 494 23
3 x 2P+E + SPD + cable with 2 USB Type-A+C charging module - 3.0 A	0 494 16	0 494 24	0 494 17	0 494 25
6 x 2P+E + SPD + cable	0 494 18	0 494 26	0 494 19	0 494 27
5 x 2P+E + SPD + cable with 2 USB Type-A+C charging module - 3.0 A	0 494 20	0 494 28	0 494 21	0 494 29

GERMAN STANDARD	Cable length 1.5 m 3 G 1.5 mm ²	
	White/Black	Black
4 x 2P+E + SPD + cable	6 945 07	6 945 11
3 x 2P+E + SPD + cable with 2 USB Type-A+C charging module - 3.0 A	6 945 08	6 945 12
6 x 2P+E + SPD + cable	6 945 09	6 945 13
5 x 2P+E + SPD + cable with 2 USB Type-A+C charging module - 3.0 A	6 945 10	6 945 14

3. DIMENSIONS (mm)



Cat. Nos	A	B	C	D	E
0 494 14/15/16/17/22/23/24/25 - 6 945 07/08/11/12	100	338	65	323	90
0 494 18/19/20/21/26/27/28/29 - 6 945 09/10/13/14	100	424	65	409	90

4. TECHNICAL CHARACTERISTICS

■ 4.1 Mechanical characteristics

Impact tests: IK 04

Protection against solid bodies and liquids: IP 20

■ 4.2 Material characteristics

Matt White RAL 9003/Matt Black RAL 9017 Plastic

Halogen-free

UV-resistant

Self-extinguishing:

750°C/30 s for insulating components holding live parts in place.

650°C/30 s for other insulating components.

■ 4.3 Electrical characteristics

Voltage: 230 V~

Frequency: 50 Hz

Current: 16 A

Power: max. 3680 W

SPD:

Type of SPD	Uc	Uoc	Up	IscCR
Type 3 residual current mode	275 V	4 kV	1 kV	1.5 kA

• **The switch is set to ON and the green LED is lit:** the SPD is active and protecting any plugged-in appliances.

• **The switch is set to ON and the green LED is off:** the SPD has protected against lightning but is no longer protecting the plugged-in appliances.

Note: The multi-outlet adapter still works but is not protected.

USB sockets

1 USB Type-A port + 1 USB Type-C port

5.0 V= - 3.0 A - 15 W max.

Average active efficiency: 84.3%

Low-load efficiency (10%): 82.4%

Electricity consumption when not charging: 0.09 W

■ 4.4 Climate characteristics

Usage temperature: -5°C to +35°C

Storage temperature: -15°C to +70°C

5. CARE

Surface cleaning with a cloth.

Do not use: acetone, tar remover, trichloroethylene.

Caution: Always test before using other special cleaning products.

6. STANDARDS AND APPROVALS

Compliant with installation and manufacturing standards

See e. catalogue.