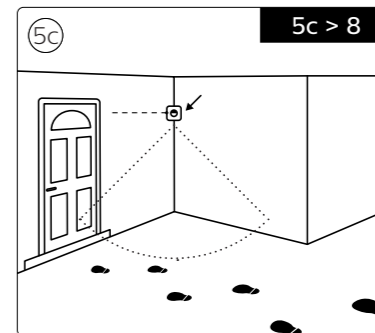
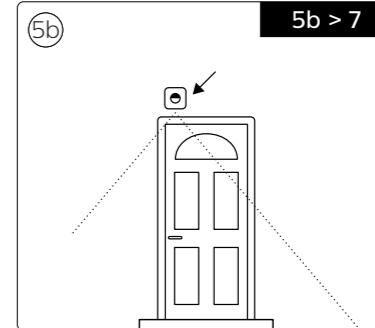
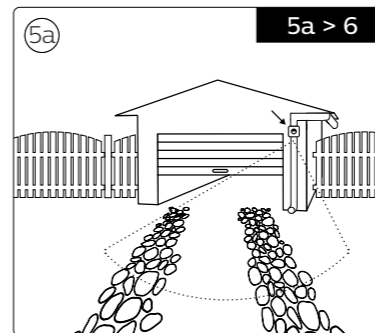
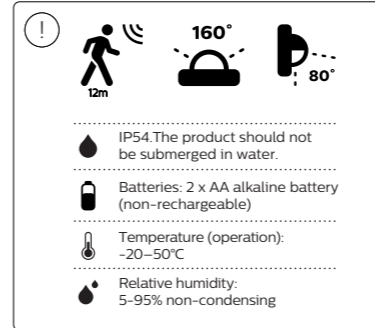
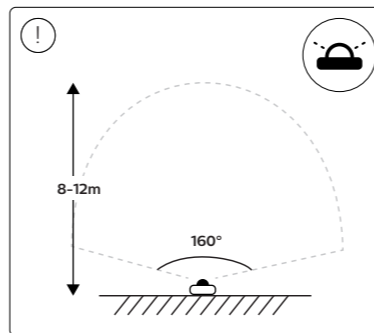
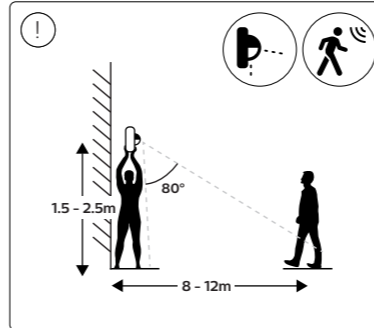
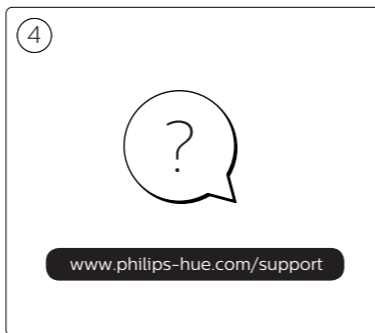
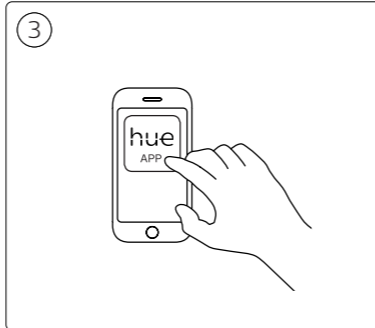
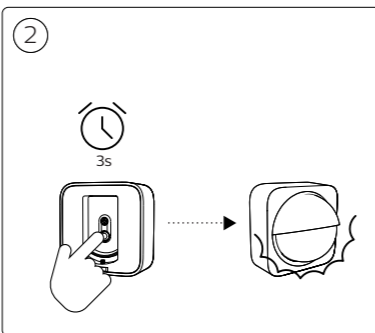
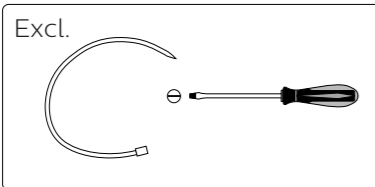
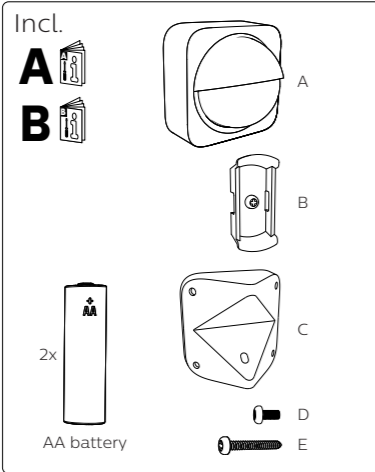


PHILIPS

hue personal wireless lighting

Outdoor sensor



Signify
I.B.R.S. / C.C.R.I. Numéro 10461
5600 VB Eindhoven,
the Netherlands
000800-74454775

© 2021 Signify Holding
All rights reserved

www.philips-hue.com
3222 639 07792
Last update: 07/2021

