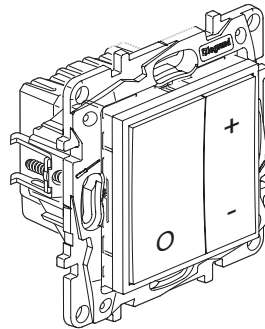


Niloé™ Step Push-button dimmer

Cat. No(s): 8 631 53 - 8 633 53
 8 634 53 - 8 635 53



8 63X 53

2. RANGE

This offer allows the control and dimming of lamps from 20 to 400 W incandescent, halogen 230 V ~ and 20 to 400 VA halogen TBT per transformer electronic and also by ferromagnetic transformer for RLC drives.

Dimmer equipped with an on / off button and an independent button +/- for the variation.

Installation replacing a traditional switch.

Does not allow the variation of LED lamp and compact fluorescent lamps.

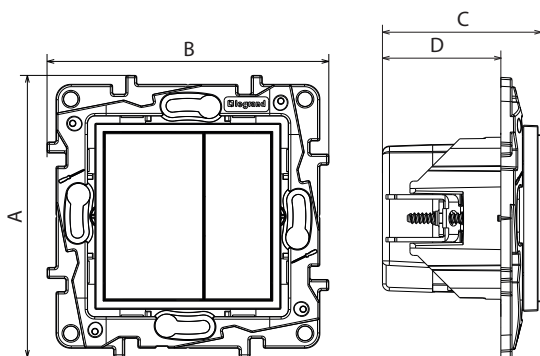
Flush-mounting or surface-mounting.

Screw or claw fixing.

2. RANGE

Description	White	Aluminium	Grey	Black
Push-button dimmer 400W - 250 V~	8 631 53	8 633 53	8 634 53	8 635 53

3. DIMENSIONS (mm)



References	A	B	C	D
8 64X 53	75.8	75.8	43	32

4. CONNECTION

Type of terminals: screws

Capacity: 2 x 2.5 mm²

Stripping length (mm): 8mm

Flexible or rigid cables compatible

5. TECHNICAL CHARACTERISTICS

■ 5.1 Mechanical characteristics

Protection against solid bodies and liquids: IP 20
 Protection against impact: IK 04

■ 5.2 Material characteristics

Material : - Mechanism housing: PC
 - Rocker plate: ABS
 - Halogen free
 - UV resistant
 - Claws: steel

Material of the support: - PC + FV
 - Halogen free

Self-extinguishing:

- + 850° C / 30 s for insulating parts holding live parts in place
- + 650° C / 30 s for other parts made of insulating materials

■ 5.3 Electrical characteristics

Voltage: 250 V~

Current:

	RL	L		CIL		Dimmable	Dimmable LED
240V~ 50Hz	3 ... 400 W	3 ... 400 VA	3 ... 200 VA	3 ... 400 VA	3 ... 200 VA	3 ... 75 W ≤ 10 x	
100V~ 60Hz	3 ... 200 W	3 ... 200 VA	3 ... 100 VA	3 ... 200 VA	3 ... 100 VA	3 ... 37 W ≤ 10 x	

(*) Use only transformers designed to operate with electronic switches.



Important: take into account the losses of the transformers in the calculation of the power.

Transformers must be loaded at more than 60% of their power.

Frequency: 50/60 Hz

■ 5.4 Climatic characteristics

Storage temperature: - 10° C to + 70° C

Use temperature: - 5° C to + 40° C

6. MAINTENANCE

Surface cleaning with a cloth.

Do not use: acetone, tar remover, trichloroethylene.

Maintenance with the following products: Hexane (EN 60669-1), Methylated spirit, Soapy water, Diluted ammonia, Bleach diluted to 10%, Window-cleaning products.

Caution: A preliminary test should be carried out if other specific cleaning products are to be used.

7. STANDARDS AND APPROVALS

Compliance with standards of installation and manufacturing.

Refer to e. catalogue.