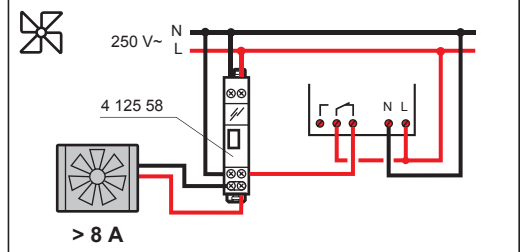
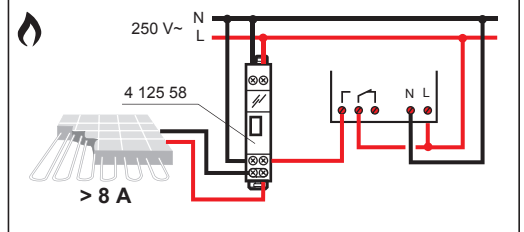
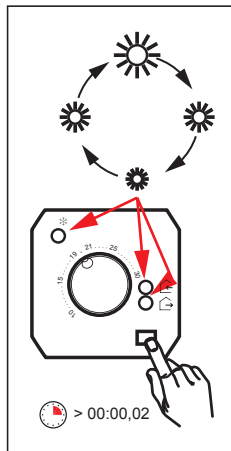
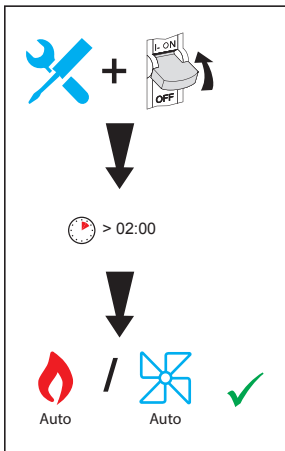
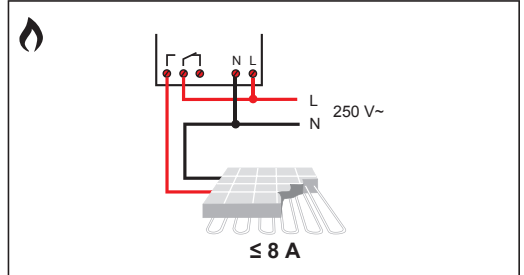
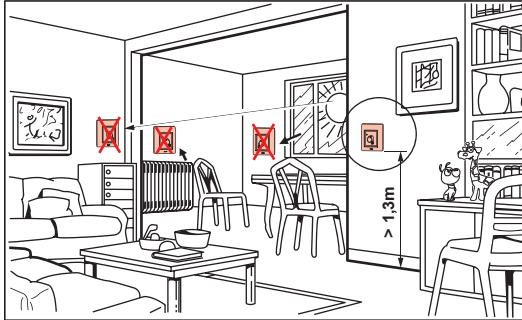
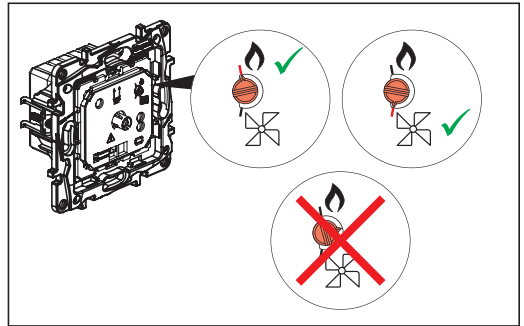
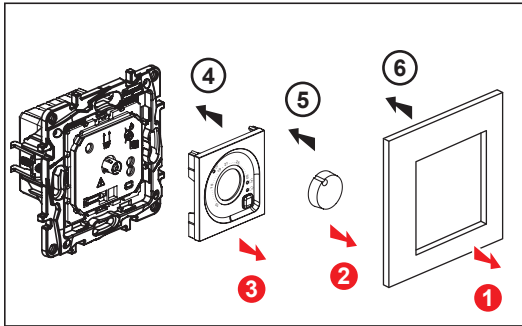
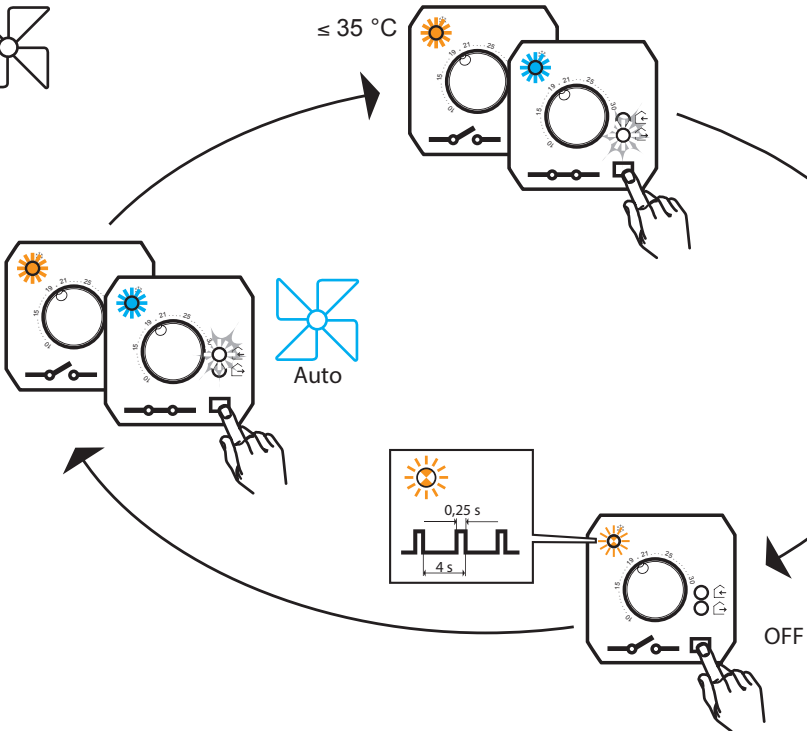
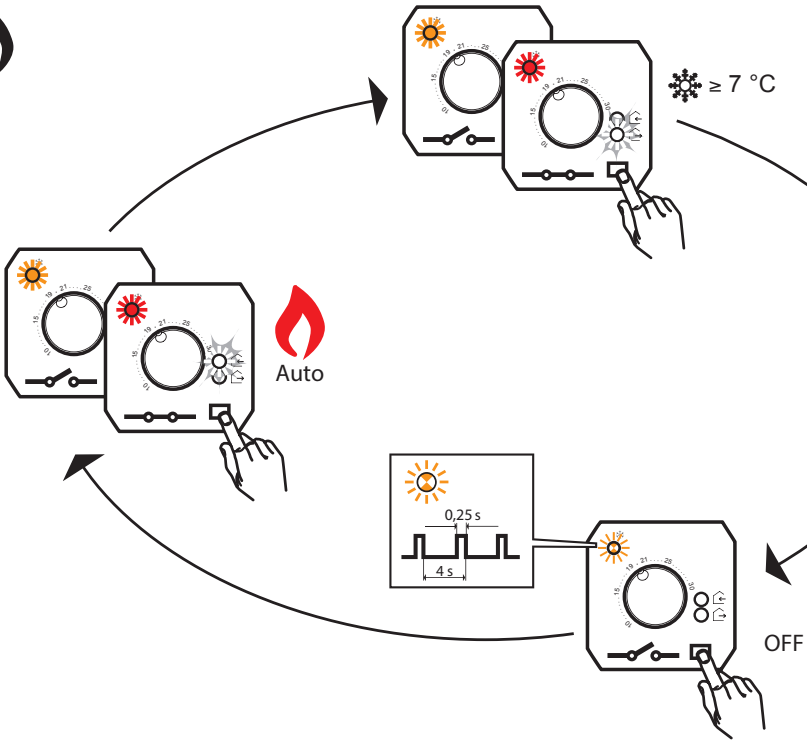
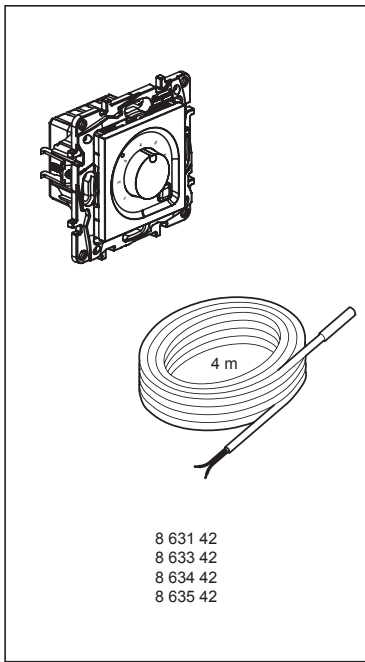


-10°C ... +70°C	-5°C ... +40°C	10°C ... 30°C	250 V~ 8 A, cos φ = 1 2 A, cos φ = 0,6	6 mm
P	U, f			
< 1 W	230 V~ 50 / 60 Hz	ΔK = ±2K		1,5..2,5 mm ²

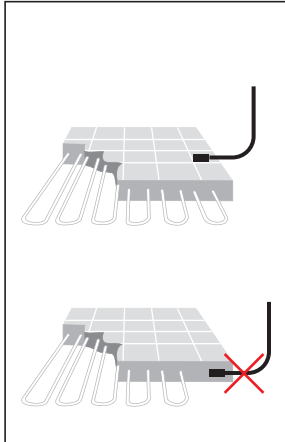
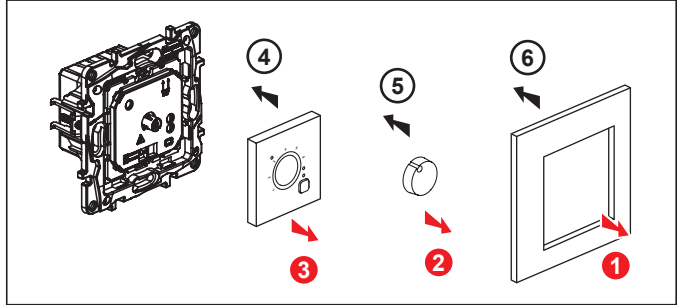






			ΔK
-10°C ... +70°C	-5°C ... +40°C	 1 ... 6 (10°C...60°C)	$\pm 2K$

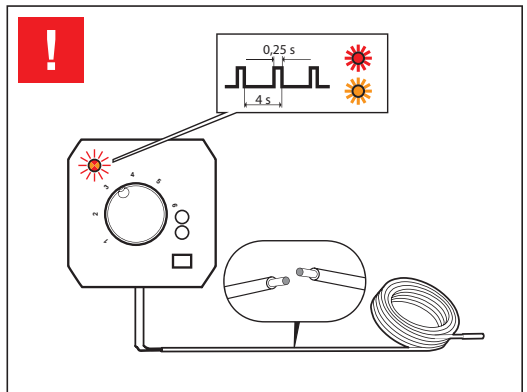
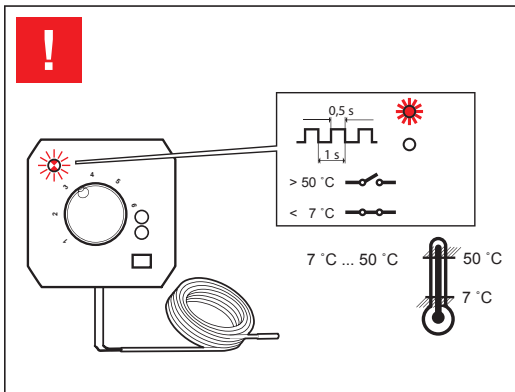
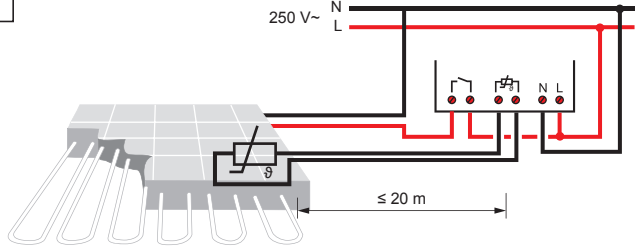
			P	U
$\leq 20\text{ m}$	250 V~ 16 A, $\cos \varphi = 1$	 6 mm 1,5..4 mm ² 1,5..2,5 mm ²	< 1 W	230 V~ 50 / 60 Hz



Load



Temperature sensor





 > 02:00

