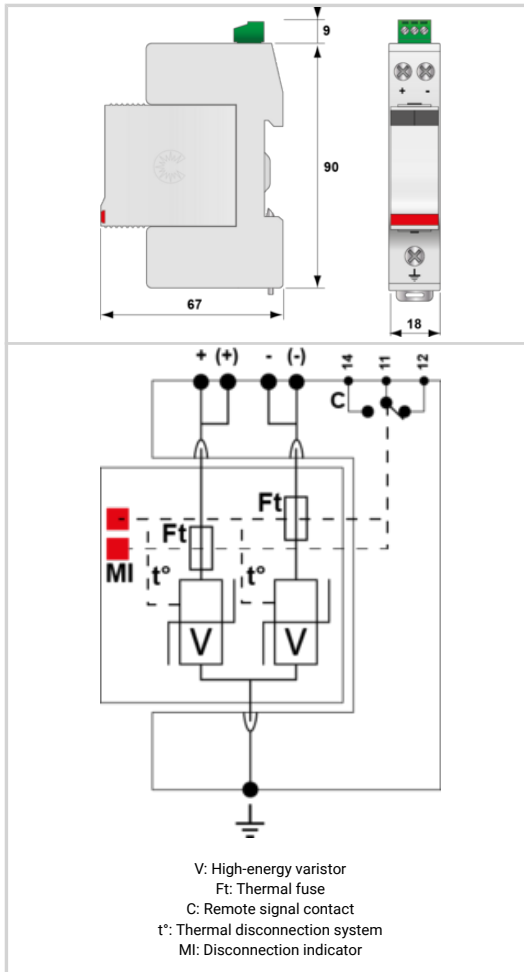


DS240S-280DC



- DC power surge protector
- 280 Vdc
- Compact design
- I_{max}: 40 kA
- Pluggable module
- Remote signaling
- Very low Up protection level



| Electrical Characteristics | |
|--|--|
| SPD type | 2 |
| Network | DC or PV network 280Vdc |
| Nominal DC voltage | Un-dc 280 Vdc |
| Nominal PV voltage | Uocstc 280 Vdc |
| Max. AC operating voltage | Uc 275 Vac |
| Max. PV operating voltage | Ucpv 350 Vdc |
| Max. DC operating voltage | Uc 350 Vdc |
| Max. load current | IL 20 A |
| Residual Current Leakage current to Ground | Ipe < 0.1 mA |
| PV Permanent Operating current Current consumption at Ucpv | Icpv < 0.1 mA |
| Follow current | If None |
| Nominal discharge current 15 x 8/20 μs impulses | In 20 kA |
| Max. discharge current max. withstand @ 8/20 μs by pole | I _{max} 40 kA |
| Total Maximum discharge current max. total withstand @ 8/20 μs | I _{max} Total 80 kA |
| Current withstand short circuit PV | Iscpv 1000 A |
| Connection mode(s) | +/-/PE |
| Protection mode(s) | Common mode/Differential mode |
| Protection level +/-/PE @ In (8/20μs) | Up 1200 V |
| Mechanical Characteristics | |
| Technology | MOV |
| SPD configuration | 2-poles |
| Connection to Network | By screw terminals: 1.5-10mm ² (actives wires) and 2.5-25mm ² (ground) |
| Format | Plug-in modular box |
| Mounting | Symmetrical rail 35 mm (EN 60715) |
| Housing material | Thermoplastic UL94 V-0 |
| Operating temperature | Tu -40/+85°C |
| Protection rating | IP20 |
| Failsafe mode | Disconnection from DC network |
| Disconnection indicator | 2 mechanical indicators |
| Spare module(s) | DSM240-280DC |
| Remote signaling of disconnection | Output on changeover contact |
| Dimensions | See diagram |
| Disconnectors | |
| Thermal disconnector | Internal |
| Fuses | Fuses type gG - 20A |
| Standards | |
| Standards compliance | IEC 61643-11 / EN 61643-11 / UL1449 ed.5 |
| Certification | UL Recognized |
| Part number | |
| 310511 | |