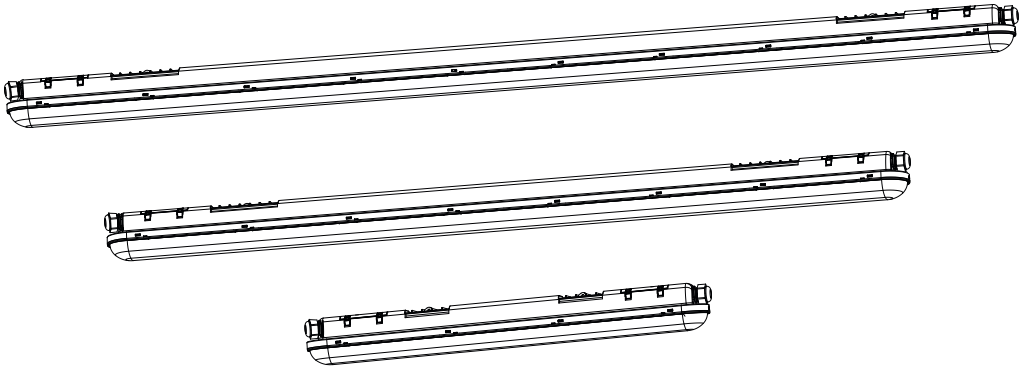



---

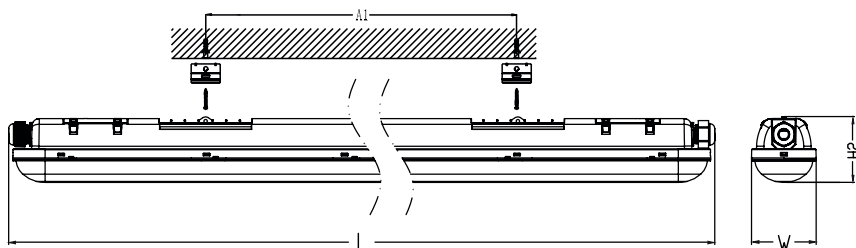
## ECO CLASS DAMPPROOF

### 21W / 42W / 52W / 66W / 80W

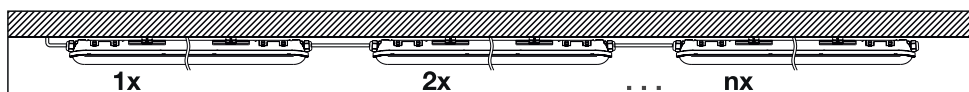
---



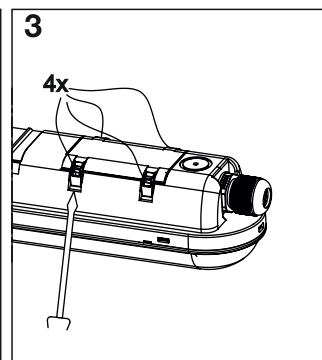
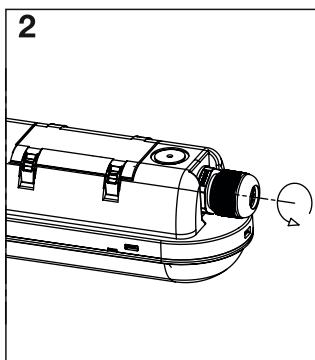
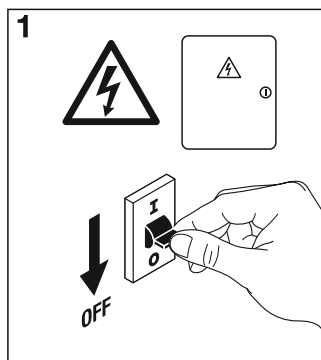
| MODEL                                      | EAN           | W  | lm/W | LxWxH [mm]         | IP | IK | ⊖ (°C)      | Vac Hz               |  |
|--|---------------|----|------|--------------------|----|----|-------------|----------------------|---|
| ECO CLASS DP 600 TH 21W 4000K IP65 GY      | 4058075463820 | 21 | 120  | 610 x 70,5 x 70,4  | 65 | 08 | -20°...+40° | 220-240 V · 50/60 Hz | 0,6 kg  |
| ECO CLASS DP 600 TH 21W 6500K IP65 GY      | 4058075463844 | 21 | 120  | 610 x 70,5 x 70,4  | 65 | 08 | -20°...+40° | 220-240 V · 50/60 Hz | 0,6 kg  |
| ECO CLASS DP 1200 TH 42W 4000K IP65 GY     | 4058075463868 | 42 | 120  | 1210 x 70,5 x 70,4 | 65 | 08 | -20°...+40° | 220-240 V · 50/60 Hz | 1,3 kg  |
| ECO CLASS DP 1200 TH 42W 6500K IP65 GY     | 4058075463882 | 42 | 120  | 1210 x 70,5 x 70,4 | 65 | 08 | -20°...+40° | 220-240 V · 50/60 Hz | 1,3 kg  |
| ECO CLASS DP 1500 TH 52W 4000K IP65 GY     | 4058075463905 | 52 | 120  | 1510 x 70,5 x 70,4 | 65 | 08 | -20°...+40° | 220-240 V · 50/60 Hz | 1,5 kg  |
| ECO CLASS DP 1500 TH 52W 6500K IP65 GY     | 4058075463929 | 52 | 120  | 1510 x 70,5 x 70,4 | 65 | 08 | -20°...+40° | 220-240 V · 50/60 Hz | 1,5 kg  |
| ECO CLASS DP HLO 1500 TH 66W 4000K IP65 GY | 4058075464025 | 66 | 136  | 1510 x 70,5 x 70,4 | 65 | 08 | -20°...+40° | 220-240 V · 50/60 Hz | 1,7 kg  |
| ECO CLASS DP HLO 1500 TH 66W 6500K IP65 GY | 4058075464049 | 66 | 136  | 1510 x 70,5 x 70,4 | 65 | 08 | -20°...+40° | 220-240 V · 50/60 Hz | 1,7 kg  |
| ECO CLASS DP HLO 1500 TH 80W 4000K IP65 GY | 4058075464063 | 80 | 137  | 1510 x 70,5 x 70,4 | 65 | 08 | -20°...+40° | 220-240 V · 50/60 Hz | 1,7 kg  |
| ECO CLASS DP HLO 1500 TH 80W 6500K IP65 GY | 4058075464087 | 80 | 137  | 1510 x 70,5 x 70,4 | 65 | 08 | -20°...+40° | 220-240 V · 50/60 Hz | 1,7 kg  |

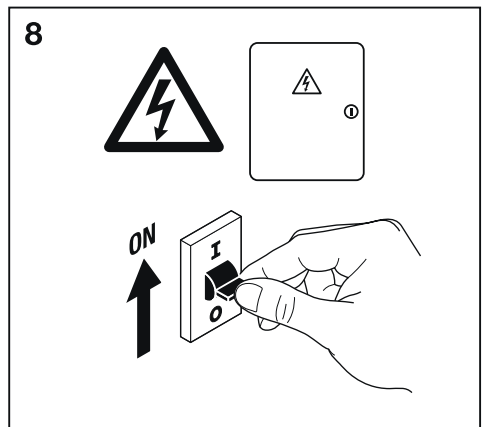
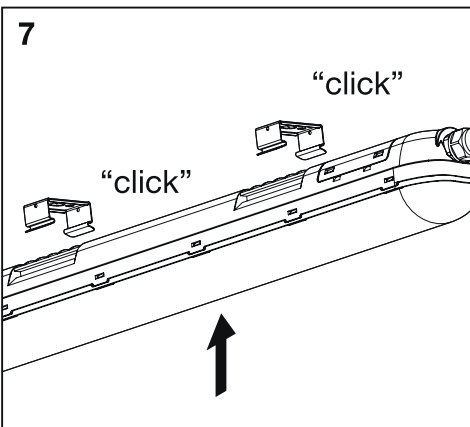
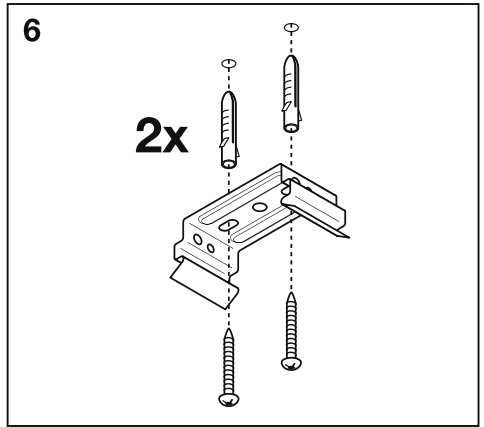
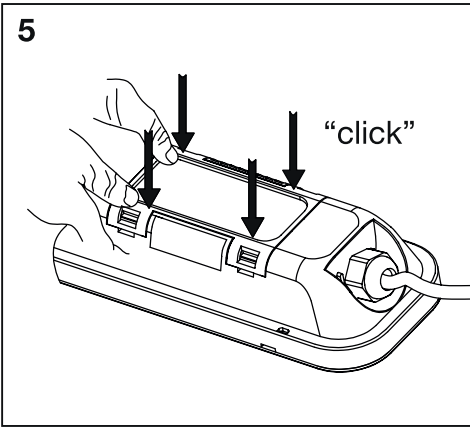
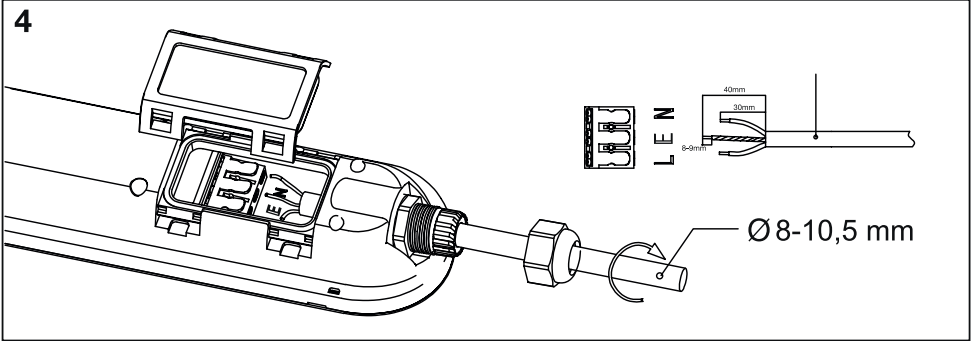


| Model   | L(mm) | W(mm) | A1(mm) | H2(mm) |
|---|-------|-------|--------|--------|
| ECO CLASS DP 600 TH 21W 4000K/6500K IP65 GY       | 610   | 70.5  | 230    | 70.4   |
| ECO CLASS DP 1200 TH 42W 4000K/6500K IP65 GY      | 1210  | 70.5  | 780    | 70.4   |
| ECO CLASS DP 1500 TH 52W 4000K/6500K IP65 GY      | 1510  | 70.5  | 1080   | 70.4   |
| ECO CLASS DP HLO 1500 TH 66W 4000K/6500K IP65 GY  | 1510  | 70.5  | 1080   | 70.4   |
| ECO CLASS DP HLO 1500 TH 80W 4000K/ 6500K IP65 GY | 1510  | 70.5  | 1080   | 70.4   |



| Model   | n  | B16 | B10 | C25 | C16 | C10 |
|---|----|-----|-----|-----|-----|-----|
| ECO CLASS DP 600 TH 21W 4000K/6500K IP65 GY       | 25 | 62  | 50  | 125 | 80  | 50  |
| ECO CLASS DP 1200 TH 42W 4000K/6500K IP65 GY      | 20 | 37  | 30  | 75  | 48  | 30  |
| ECO CLASS DP 1500 TH 52W 4000K/6500K IP65 GY      | 20 | 37  | 29  | 74  | 47  | 29  |
| ECO CLASS DP HLO 1500 TH 66W 4000K/6500K IP65 GY  | 15 | 25  | 20  | 50  | 32  | 20  |
| ECO CLASS DP HLO 1500 TH 80W 4000K/ 6500K IP65 GY | 15 | 25  | 19  | 47  | 30  | 19  |





**ECO CLASS DAMPPROOF 21W / 42W / 52W / 66W / 80W**



**CE** **RoHS**  **IP65 IK08**



C10449057  
G11095543



LEDVANCE GmbH  
Steinerne Furt 62  
86167 Augsburg, Germany  
[www.ledvance.com](http://www.ledvance.com)