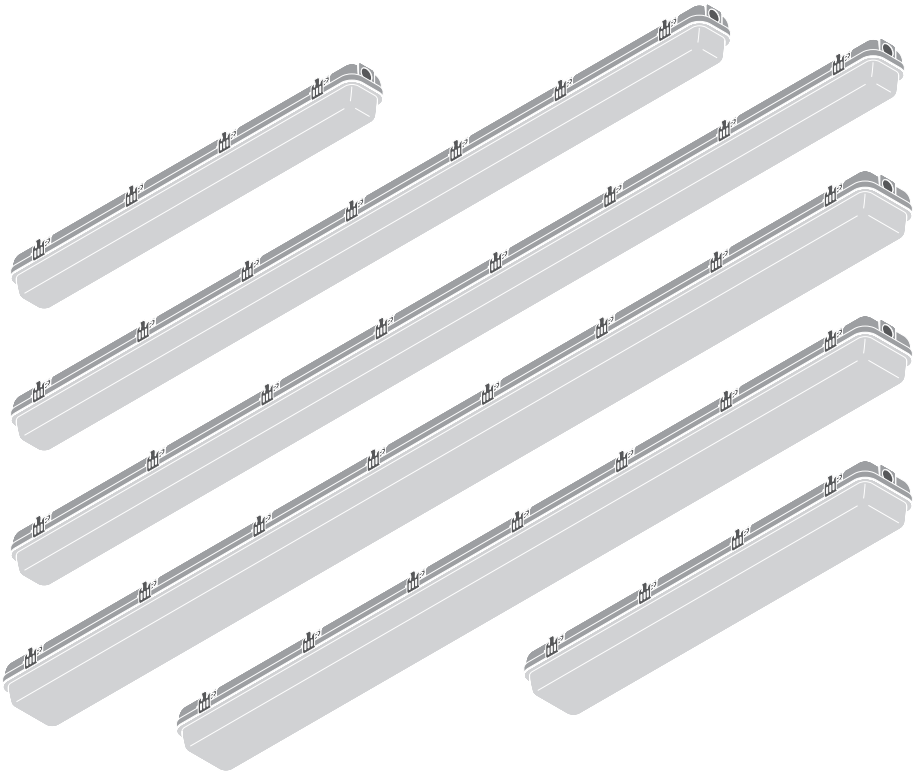
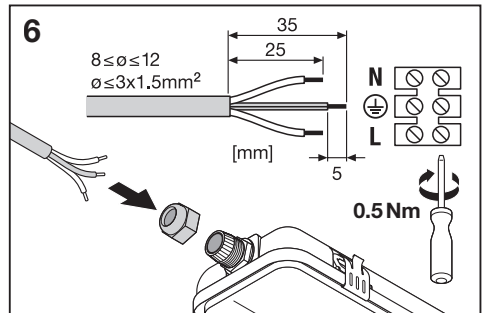
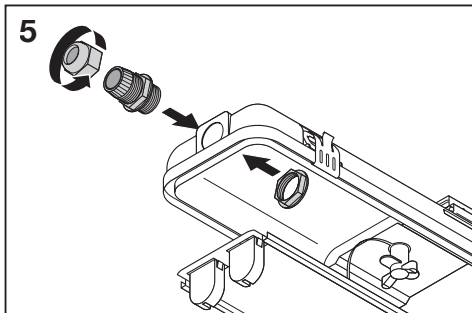
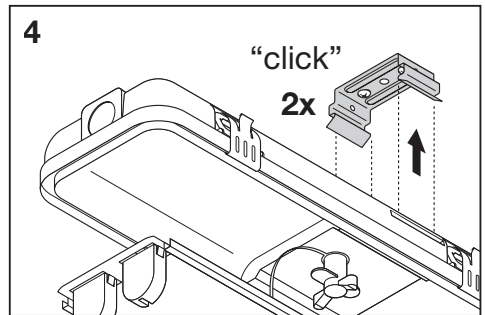
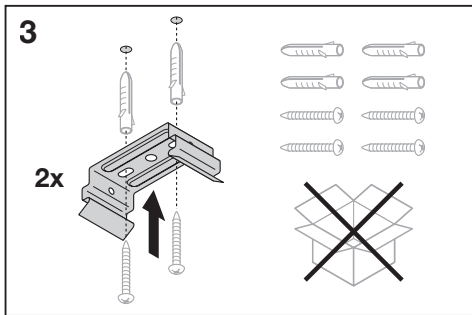
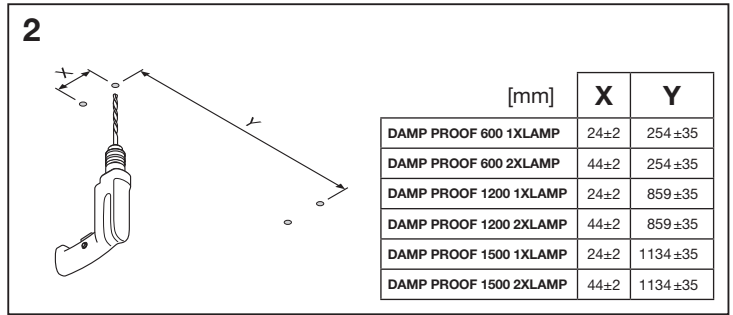
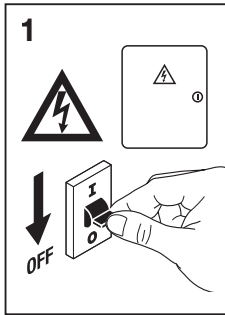
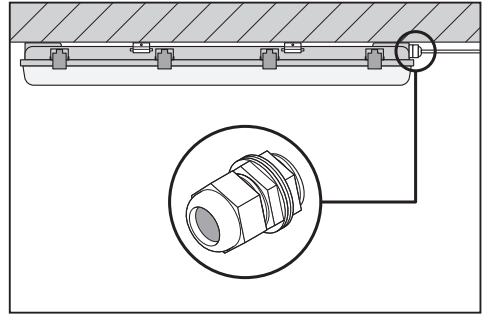
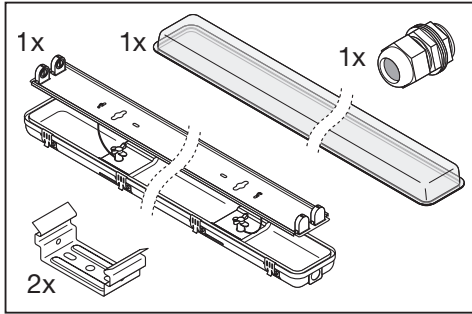
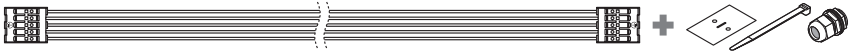

DAMPPROOF HOUSING



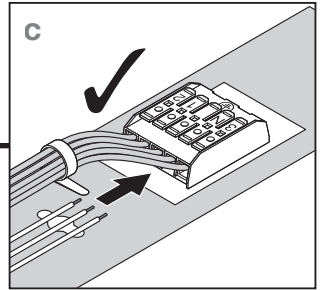
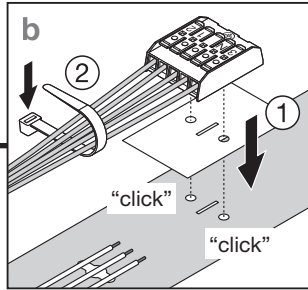
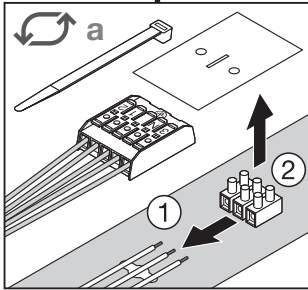
	EAN	l x w x h [mm]	IP	IK	°C	⚖️
DAMP PROOF 600 1XLAMP HOUSING IP65	4058075312395	651 x 64 x 75	65	08	-30...+45	0.56 kg
DAMP PROOF 600 2XLAMP HOUSING IP65	4058075312418	651 x 102 x 75	65	08	-30...+45	0.77 kg
DAMP PROOF 1200 1XLAMP HOUSING IP65	4058075312432	1261 x 64 x 75	65	08	-30...+45	0.90 kg
DAMP PROOF 1200 2XLAMP HOUSING IP65	4058075312456	1261 x 102 x 75	65	08	-30...+45	1.36 kg
DAMP PROOF 1500 1XLAMP HOUSING IP65	4058075312470	1561 x 64 x 75	65	08	-30...+45	1.21 kg
DAMP PROOF 1500 2XLAMP HOUSING IP65	4058075312494	1561 x 102 x 75	65	08	-30...+45	1.64 kg



DP 1200 1XLAMP HOUSING TH-KIT / EAN 4058075695078



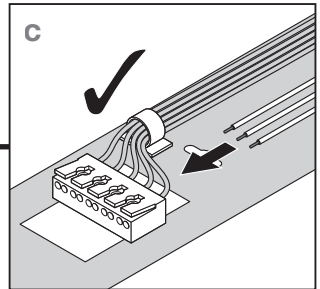
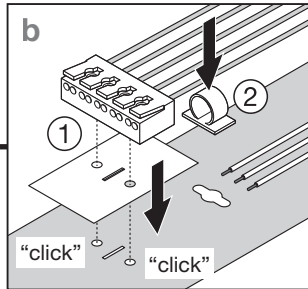
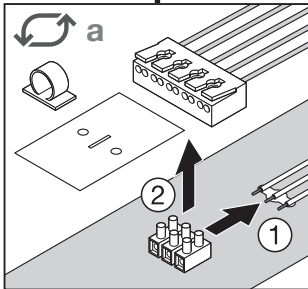
DP 1500 1XLAMP HOUSING TH-KIT / EAN 4058075695092



DP 1200 2XLAMP HOUSING TH-KIT / EAN 4058075695115



DP 1500 2XLAMP HOUSING TH-KIT / EAN 4058075695139

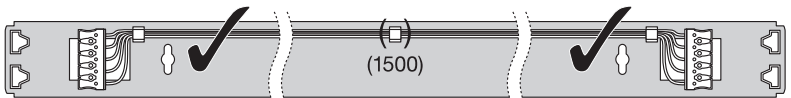


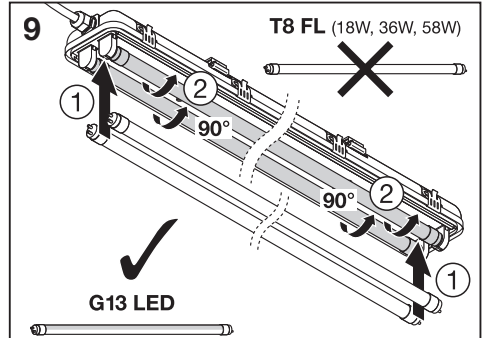
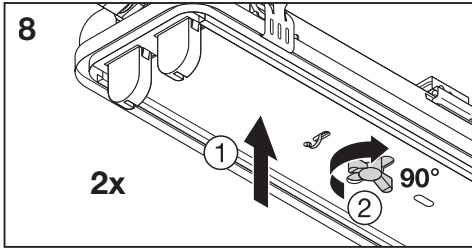
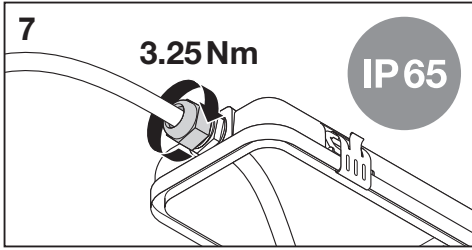
1XLAMP



$8 \leq \phi \leq 12$
 $\phi \leq 5 \times 2.5 \text{mm}^2$

2XLAMP





	220-240V / 50/60 Hz
DAMP PROOF 600 1XLAMP HOUSING IP65	1x G13 LED-Tube (0.6m)
DAMP PROOF 600 2XLAMP HOUSING IP65	2x G13 LED-Tube (0.6m)
DAMP PROOF 1200 1XLAMP HOUSING IP65	1x G13 LED-Tube (1.2m)
DAMP PROOF 1200 2XLAMP HOUSING IP65	2x G13 LED-Tube (1.2m)
DAMP PROOF 1500 1XLAMP HOUSING IP65	1x G13 LED-Tube (1.5m)
DAMP PROOF 1500 2XLAMP HOUSING IP65	2x G13 LED-Tube (1.5m)

