

LINEAR COMPACT SWITCH/HIGH OUTPUT

LINEAR COMPACT SWITCH

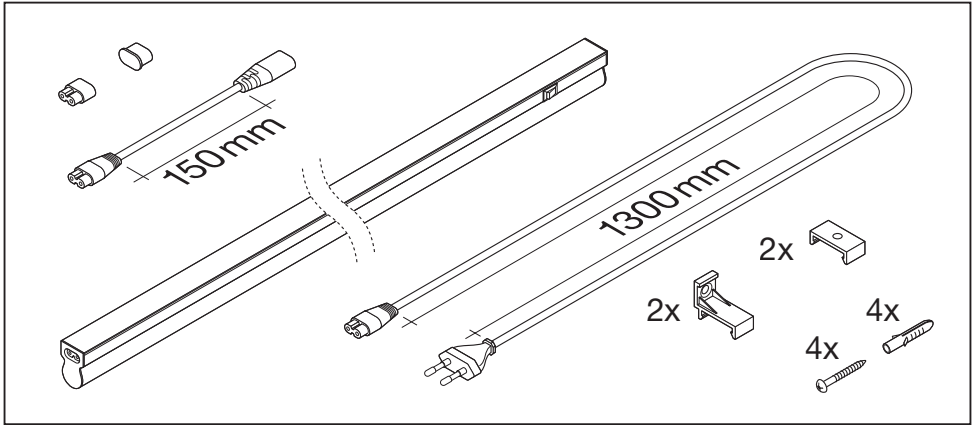


| | EAN | l x w x h [mm] | W | lm | lm/W | K | IP | IK | ON <input type="checkbox"/> OFF <input type="checkbox"/> |
|-------------------------------|---------------|----------------|----|------|------|------|----|----|--|
| LN COMP SWITCH 300 4W/3000K | 4058075106079 | 313x28x36 | 4 | 400 | 100 | 3000 | 20 | 03 | <input checked="" type="checkbox"/> |
| LN COMP SWITCH 300 4W/4000K | 4058075106093 | 313x28x36 | 4 | 450 | 110 | 4000 | 20 | 03 | <input checked="" type="checkbox"/> |
| LN COMP SWITCH 600 8W/3000K | 4058075106116 | 573x28x36 | 8 | 800 | 100 | 3000 | 20 | 03 | <input checked="" type="checkbox"/> |
| LN COMP SWITCH 600 8W/4000K | 4058075106130 | 573x28x36 | 8 | 800 | 100 | 4000 | 20 | 03 | <input checked="" type="checkbox"/> |
| LN COMP SWITCH 900 12W/3000K | 4058075106192 | 873x28x36 | 12 | 1200 | 100 | 3000 | 20 | 03 | <input checked="" type="checkbox"/> |
| LN COMP SWITCH 900 12W/4000K | 4058075106215 | 873x28x36 | 12 | 1200 | 100 | 4000 | 20 | 03 | <input checked="" type="checkbox"/> |
| LN COMP SWITCH 1200 14W/3000K | 4058075106154 | 1173x28x36 | 14 | 1400 | 100 | 3000 | 20 | 03 | <input checked="" type="checkbox"/> |
| LN COMP SWITCH 1200 14W/4000K | 4058075106178 | 1173x28x36 | 14 | 1500 | 100 | 4000 | 20 | 03 | <input checked="" type="checkbox"/> |
| LN COMP SWITCH 1500 17W/3000K | 4058075683341 | 1473x28x36 | 17 | 1800 | 106 | 3000 | 20 | 03 | <input checked="" type="checkbox"/> |
| LN COMP SWITCH 1500 17W/4000K | 4058075683365 | 1473x28x36 | 17 | 1900 | 112 | 4000 | 20 | 03 | <input checked="" type="checkbox"/> |

LINEAR COMPACT HIGH OUTPUT



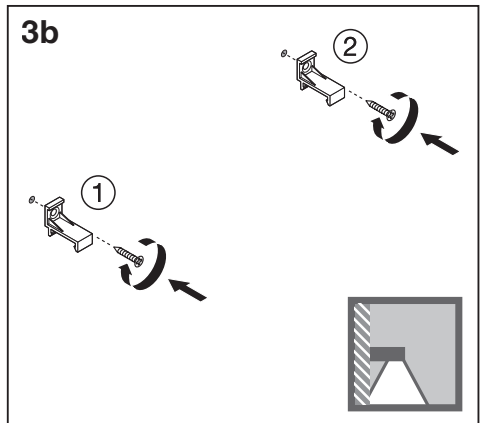
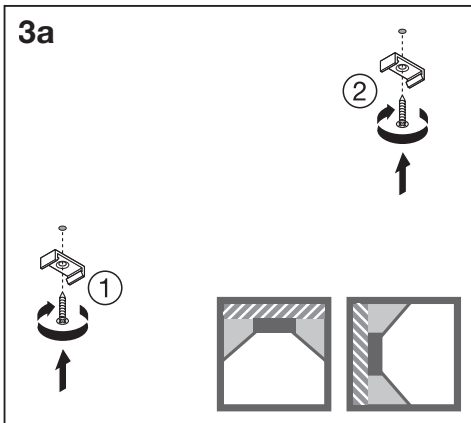
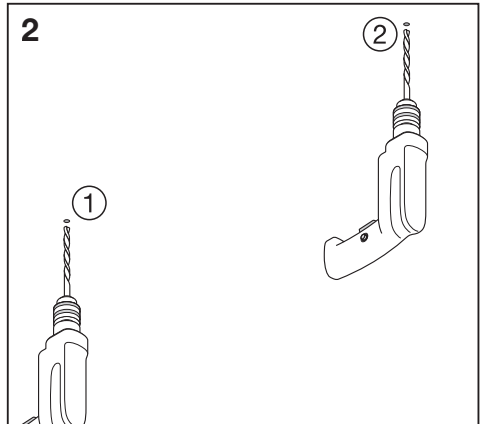
| | EAN | l x w x h [mm] | W | lm | lm/W | K | IP | IK | ON <input type="checkbox"/> OFF <input type="checkbox"/> |
|---------------------------|---------------|----------------|----|------|------|------|----|----|--|
| LN COMP HO 600 10W/3000K | 4058075106277 | 573x24x36 | 10 | 1000 | 100 | 3000 | 20 | 03 | - |
| LN COMP HO 600 10W/4000K | 4058075106291 | 573x24x36 | 10 | 1000 | 100 | 4000 | 20 | 03 | - |
| LN COMP HO 900 15W/3000K | 4058075106239 | 873x24x36 | 15 | 1500 | 100 | 3000 | 20 | 03 | - |
| LN COMP HO 900 15W/4000K | 4058075106253 | 873x24x36 | 15 | 1500 | 100 | 4000 | 20 | 03 | - |
| LN COMP HO 1200 20W/3000K | 4058075106314 | 1173x24x36 | 20 | 2000 | 100 | 3000 | 20 | 03 | - |
| LN COMP HO 1200 20W/4000K | 4058075106338 | 1173x24x36 | 20 | 2000 | 100 | 4000 | 20 | 03 | - |
| LN COMP HO 1500 25W/3000K | 4058075106352 | 1473x24x36 | 25 | 2500 | 100 | 3000 | 20 | 03 | - |
| LN COMP HO 1500 25W/4000K | 4058075106376 | 1473x24x36 | 25 | 2500 | 100 | 4000 | 20 | 03 | - |

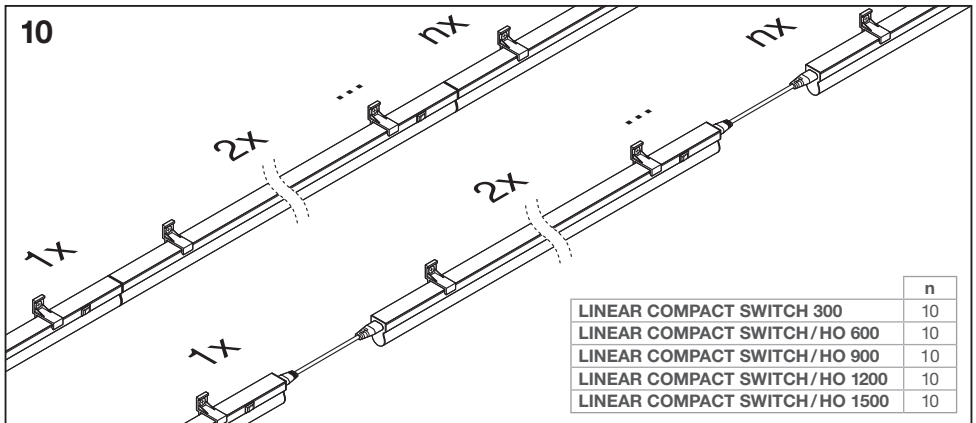
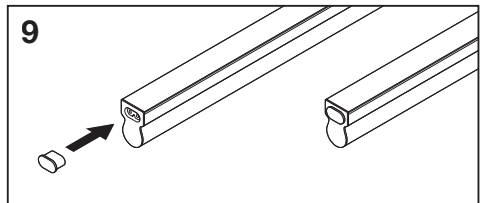
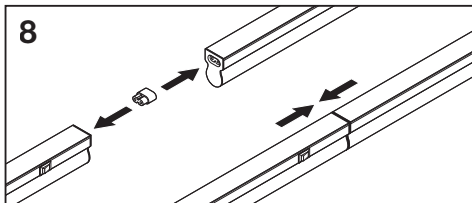
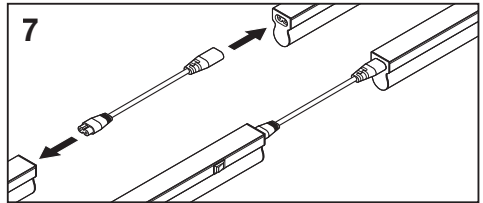
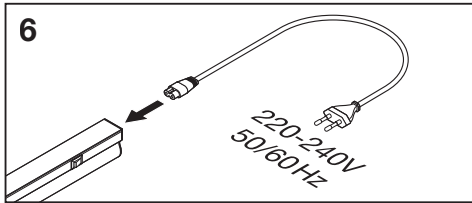
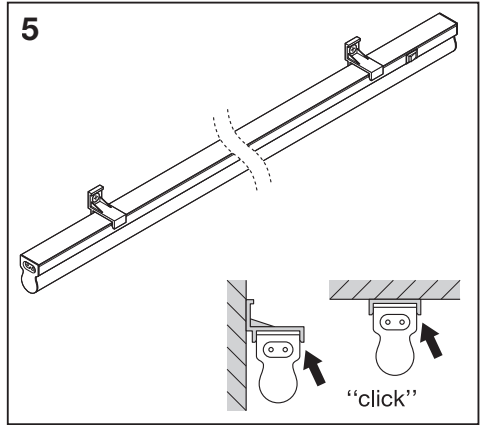
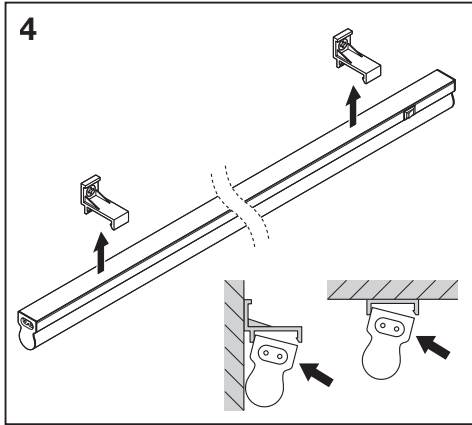


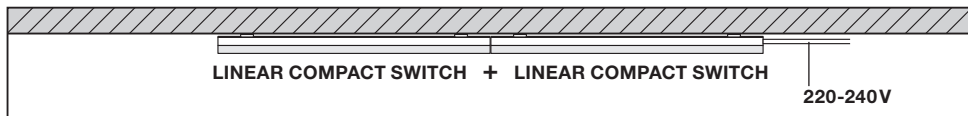
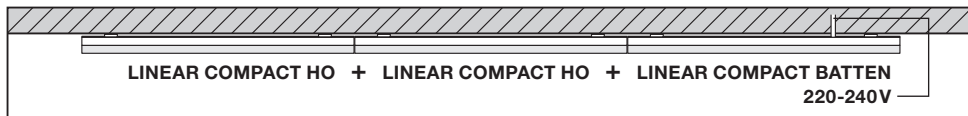
1

d

| | d |
|-------------------------------|---------|
| LINEAR COMPACT SWITCH 300 | 290 mm |
| LINEAR COMPACT SWITCH/HO 600 | 550 mm |
| LINEAR COMPACT SWITCH/HO 900 | 850 mm |
| LINEAR COMPACT SWITCH/HO 1200 | 1150 mm |
| LINEAR COMPACT SWITCH/HO 1500 | 1450 mm |







| | EAN | Temp (°C) | V _{AC} | Hz | PF | Beam Angle | R _a | Weight |
|-------------------------------|---------------|-----------|-----------------|----------|-------|------------|----------------|--------|
| LN COMP SWITCH 300 4W/3000K | 4058075106079 | -20...+40 | 220-240V | 50/60Hz | > 0.5 | 140° | > 80 | 0.1 kg |
| LN COMP SWITCH 300 4W/4000K | 4058075106093 | -20...+40 | 220-240V | 50/60Hz | > 0.5 | 140° | > 80 | 0.1 kg |
| LN COMP SWITCH 600 8W/3000K | 4058075106116 | -20...+40 | 220-240V | 50/60Hz | > 0.5 | 140° | > 80 | 0.2 kg |
| LN COMP SWITCH 600 8W/4000K | 4058075106130 | -20...+40 | 220-240V | 50/60Hz | > 0.5 | 140° | > 80 | 0.2 kg |
| LN COMP SWITCH 900 12W/3000K | 4058075106192 | -20...+40 | 220-240V | 50/60 Hz | > 0.5 | 140° | > 80 | 0.3 kg |
| LN COMP SWITCH 900 12W/4000K | 4058075106215 | -20...+40 | 220-240V | 50/60 Hz | > 0.5 | 140° | > 80 | 0.3 kg |
| LN COMP SWITCH 1200 14W/3000K | 4058075106154 | -20...+40 | 220-240V | 50/60Hz | > 0.5 | 140° | > 80 | 0.4 kg |
| LN COMP SWITCH 1200 14W/4000K | 4058075106178 | -20...+40 | 220-240V | 50/60Hz | > 0.5 | 140° | > 80 | 0.4 kg |
| LN COMP SWITCH 1500 17W/3000K | 4058075683341 | -20...+40 | 220-240V | 50/60Hz | > 0.5 | 140° | > 80 | 0.5 kg |
| LN COMP SWITCH 1500 17W/4000K | 4058075683365 | -20...+40 | 220-240V | 50/60Hz | > 0.5 | 140° | > 80 | 0.5 kg |

| | EAN | Temp (°C) | V _{AC} | Hz | PF | Beam Angle | R _a | Weight |
|---------------------------|---------------|-----------|-----------------|----------|-------|------------|----------------|--------|
| LN COMP HO 600 10W/3000K | 4058075106277 | -20...+40 | 220-240V | 50/60Hz | > 0.5 | 140° | > 80 | 0.2 kg |
| LN COMP HO 600 10W/4000K | 4058075106291 | -20...+40 | 220-240V | 50/60Hz | > 0.5 | 140° | > 80 | 0.2 kg |
| LN COMP HO 900 15W/3000K | 4058075106239 | -20...+40 | 220-240V | 50/60 Hz | > 0.5 | 140° | > 80 | 0.3 kg |
| LN COMP HO 900 15W/4000K | 4058075106253 | -20...+40 | 220-240V | 50/60 Hz | > 0.5 | 140° | > 80 | 0.3 kg |
| LN COMP HO 1200 20W/3000K | 4058075106314 | -20...+40 | 220-240V | 50/60Hz | > 0.5 | 140° | > 80 | 0.4 kg |
| LN COMP HO 1200 20W/4000K | 4058075106338 | -20...+40 | 220-240V | 50/60Hz | > 0.5 | 140° | > 80 | 0.4 kg |
| LN COMP HO 1500 25W/3000K | 4058075106352 | -20...+40 | 220-240V | 50/60Hz | > 0.9 | 140° | > 80 | 0.6 kg |
| LN COMP HO 1500 25W/4000K | 4058075106376 | -20...+40 | 220-240V | 50/60Hz | > 0.9 | 140° | > 80 | 0.6 kg |



LEDVANCE GmbH
 Steinerne Furt 62
 86167 Augsburg, Germany
www.ledvance.com

C10449057
 G11127930
 01.09.21

© LEDVANCE Ltd, Aquila House,
 Delta Crescent, Westbrook,
 Warrington, WA5 7NR,
 United Kingdom