

HF 180

COM1 - white
 EAN 4007841 032883
 Article number 032883



high-frequency sensor 180°



max. 8 m

2000 W

2000 W max. (LED-ready)



IP20



2 - 1000 lux



30 sec - 30 min



indoor sensor



energy saving

5 years

manufacturer's warranty steinel-professional.de/garantie



CE

Function description

Reliably detects through partition walls. HF 180 presence switch. The high-frequency sensor system quickly detects any movement regardless of temperature – even through partition walls, e.g. offices, entrance rooms or toilet facilities. 180° angle of coverage, up to 8 m reach. Intelligent technology, high-calibre design, easy 3-wire installation.

Technical specifications

Dimensions (L x W x H)	30 x 80 x 80 mm	Capacitive load in µF	176 µF
Manufacturer's Warranty	5 years	Sensor Technology	High frequency
Settings via	Remote control, DIP switches, Potentiometers, Smart Remote	Mounting height	1,20 – 2,20 m
With remote control	No	Mounting height max.	2,20 m
Version	COM1 - white	Optimum mounting height	1,2 m
PU1, EAN	4007841032883	HF-system	5,8 GHz
Type	Presence detector	Detection	also through glass, wood and stud walls
Application, place	Indoors	Detection angle	180 °
Application, room	one-person office, corridor / aisle, function room / ancillary room, kitchenette, stairwell, WC / washroom, Indoors	Angle of aperture	140 °
Colour	white	Sneak-by guard	Yes
Colour, RAL	9010	Capability of masking out individual segments	No
Includes corner wall mount	No	Electronic scalability	Yes
Installation site	wall	Mechanical scalability	No
Installation	Concealed wiring, Wall	Reach, radial	r = 8 m (101 m ²)
		Reach, tangential	r = 8 m (101 m ²)

HF 180

COM1 - white
 EAN 4007841 032883
 Article number 032883



Technical specifications

IP-rating	IP20
Ambient temperature	0 – 40 °C
Material	Plastic
Mains power supply	220 – 240 V / 50 – 60 Hz
Switching output 1, resistive	2000 W
Switching output 1, number of LEDs / fluorescent lamps	8 pcs.
Fluorescent lamps, electronic ballast	1000 W
Fluorescent lamps, uncorrected	1000 VA
Fluorescent lamps, series-corrected	400 VA
Fluorescent lamps, parallel-corrected	500 VA
Switching output 1, low-voltage halogen lamps	2000 VA
LED lamps < 2 W	100 W
LED lamps > 2 W < 8 W	300 W
LED lamps > 8 W	600 W

Switching zones	96 switching zones
Transmitter power	< 1 mW
Functions	Normal / test mode, Semi-/fully automatic, Switch active / switch inactive, Manual ON / ON-OFF
Twilight setting	2 – 1000 lx
Time setting	30 s – 30 Min.
Basic light level function	No
Main light adjustable	No
Twilight setting TEACH	Yes
Constant-lighting control	No
Interconnection	Yes
Type of interconnection	Master/master, Master/slave
Interconnection via	Cable

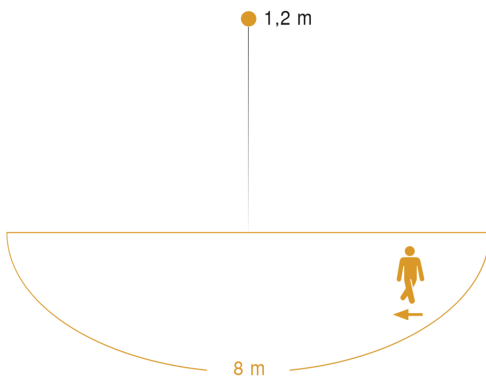
Accessories

EAN 4007841 034160	Adapter frame for IR/HF 180
EAN 4007841 034184	Adapter frame for IR/HF 180
EAN 4007841 034139	Adapter frame for IR/HF 180
EAN 4007841 559410	Service remote control RC8
EAN 4007841 009151	Remote control Smart Remote

HF 180

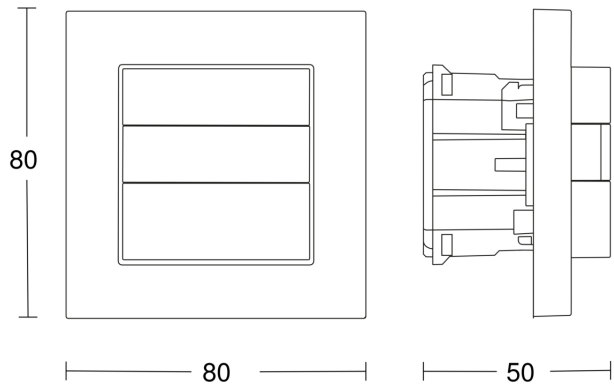
COM1 - white
EAN 4007841 032883
Article number 032883

Detection Zone

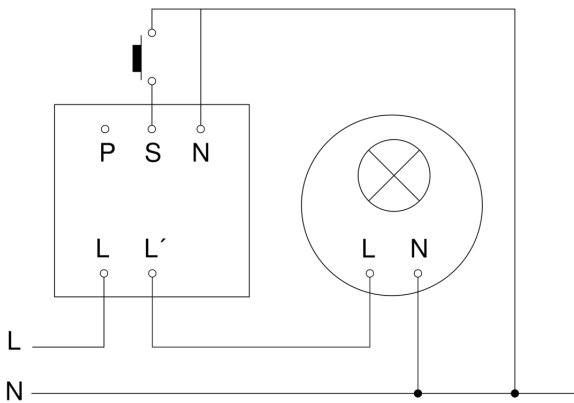


Mögliche Montagehöhe: 1,20 m – 2,20 m
Orange: tangential

Dimension Drawing



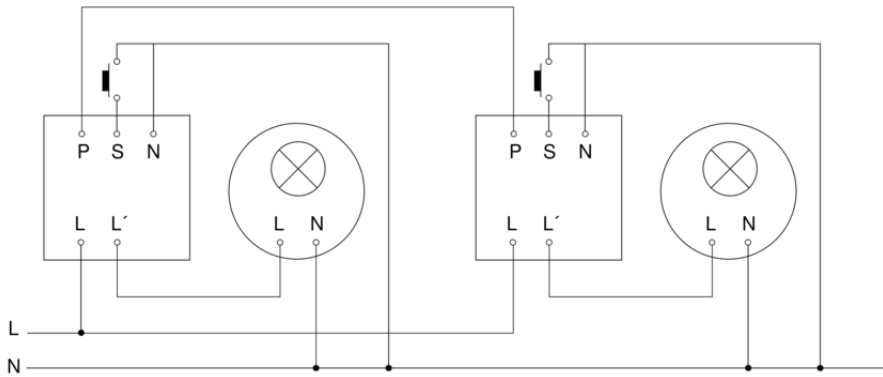
Master circuit diagram



HF 180

COM1 - white
EAN 4007841 032883
Article number 032883

Master/master interconnection circuit diagram



Master/slave interconnection circuit diagram

