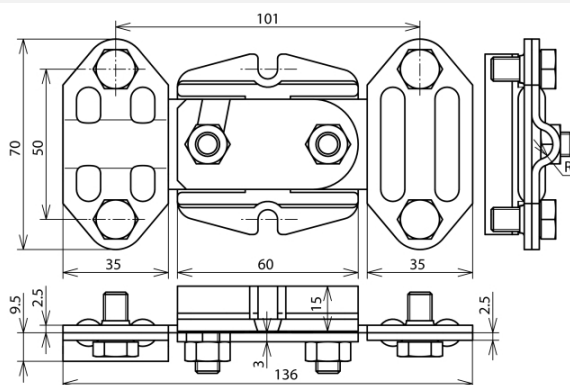




FTS 8.10 FL30.40 IS STTZN (453 100)



Figure without obligation



Type	FTS 8.10 FL30.40 IS STTZN
Part No.	453 100
Material	St/tZn
Clamping range Rd / FI	8-10 / 30-40 mm
Screw	☛ M8 x 16 / M8 x 20 mm
Material of screw / nut	StSt
Insulating piece	plastic grey •
Standard	EN 62561-1
Weight	333 g
Customs tariff number (Comb. Nomenclature EU)	85389099
GTIN	4013364025523
PU	10 pc(s)

Type for conductor Rd / Rd 8-10 mm upon request.

We reserve the right to introduce changes in performance, configuration and technology, dimensions, weights and materials in the course of technical progress. The figures are shown without obligation.