

connector - with screw terminals one piece



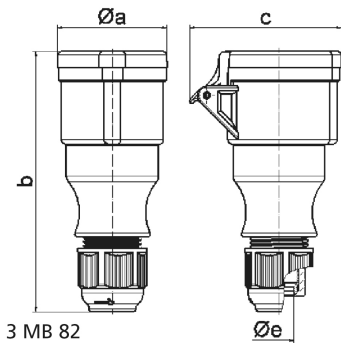
Product description	
BALS-Prd.-Nr	31005-TLS
EAN	4024941192378
product category (PG)	TLS connector Multi-Grip cable
current (A)	16A
number of poles (P99)	4p
number of poles (P)	3P+PE
position of earth contact (H)	6 h
voltage (V)	380 up to 415V
frequency (HZ)	50 and 60Hz

Product description	
protection degree (SA)	IP44
colour code 1 (KF1)	red RAL 3000
Colour of appliance	Hinged lid red RAL 3000, Enclosure red RAL 3000, Cable gland grey RAL 7035
connection design (AT)	with screw terminal
maximum conductor size (LQ)	2,5 qmm
cable entry (KE)	Cable gland
Height	149mm
Width	52mm
Depth	74mm
material of enclosure (GM)	PA6
contact	PA6, brass

Additional technical information	
	one piece housing, Multi-Grip cable gland with g, for cable diameter from 8 up t

Logistics data	
Weight/pcs	0.174 kg / Piece
Packaging	Carton
Content amount	10 ST
EAN	4024941828222
Length	275 mm

Logistics data	
Width	175 mm
Height	137 mm
Weight	1.865 kg
Volume	5,737.5 ccm



Ampere	16	16	16	32	32	32
Polzahl	3	4	5	3	4	5
a ø	51,0	58,0	65,0	67,0	67,0	73,0
b	145,0	148,0	156,0	185,0	185,0	185,0
c	74,0	84,0	90,0	94,0	94,0	102,0
e ø	18,0	18,0	18,0	23,0	23,0	23,0
Leiter mm ² min	1	1	1	2,5	2,5	2,5
Leiter mm ² max	2,5	2,5	2,5	6	6	6