

48 PT / PT DIN - CONNECTION AND JUNCTION BOXES ALSO FOR DOMOTICS - IP40

TECHNICAL CHARACTERISTICS

Standard: IEC EN 606070-1 (CEI 23-48); IEC EN 60670-22 (CEI 23-94);
IEC EN 60670-24 (CEI 23-49) (*)
Degree of protection: IP40
Installation temperature: max +60°C; min. -15°C
Material: GW PLAST technopolymer, halogen-free in accordance with
EN 60754-2 (CEI EN 50267-2-2)

Impact resistance: IK 07 (standard and deep covers)
IK 10 (impact resistant cover)
Heat resistance: thermo-pressure with ball 70°C
Resistance to abnormal heat and fire: Glow wire test 650°C
Applications: for brickwork walls

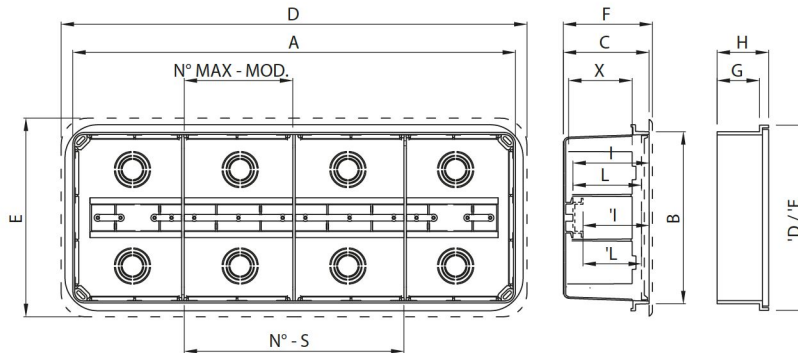
(*) Enclosure type: GP (CEI 23-51) and PD

BEHAVIOUR WITH CHEMICAL AND ATMOSPHERIC AGENTS

| Agent | Saline solution | Acids | | Bases | | Solvents | | | | Mineral oil | UV rays |
|-------------------------------------|-----------------|---------------|--------------------|--------------------|--------------------|---------------|---------------|---------------|--------------------|--------------------|--------------------|
| | | Concentrated | Diluted | Concentrated | Diluted | Hexane | Benzol | Acetone | Ethyl alcohol | | |
| 48 PT / PT DIN standard cover | Resistant | Not resistant | Not resistant | Limited resistance | Limited resistance | Not resistant | Not resistant | Not resistant | Limited resistance | Limited resistance | Limited resistance |
| Shockproof cover for 48 PT / PT DIN | Resistant | Not resistant | Limited resistance | Not resistant | Limited resistance | Resistant | Not resistant | Not resistant | Limited resistance | Limited resistance | Limited resistance |

Dimension tables

FLUSH MOUNTING ENCLOSURES WITH INTEGRATED DIN RAIL



| Code | Modular boxes | | | | | | | | | | Cover | | | Deep lid | | | | max Ø of conduit per sector | max Ø of conduit in the back-mounting plate | Maximum dispersible power |
|------------------------|---------------|-----|----|----|--------|--------------------|------|----|----|------|-------|-----|------|----------|-----|----|----|-----------------------------|---|---------------------------|
| | A | B | C | X | N° - S | No. modules N° - M | I | L | 'I | 'L | D | E | F | 'D | 'E | G | H | | | |
| GW 48 006 GW 48 086 | 196 | 152 | 75 | 57 | 2 | 4.5 | 69 | 61 | 62 | 53.5 | 222 | 178 | 79 | 214 | 170 | 49 | 56 | Ø50 | Ø32 | 11W |
| GW 48 007 GW 48 087 | 294 | 152 | 75 | 57 | 3 | 5 | 69 | 61 | 62 | 53.5 | 320 | 178 | 79 | 312 | 170 | 66 | 73 | Ø50 | Ø32 | 13W |
| GW 48 008 GW 48 088 | 392 | 152 | 75 | 57 | 4 | 5 | 70 | 63 | 63 | 55.5 | 418 | 178 | 80 | 410 | 170 | 66 | 73 | Ø50 | Ø32 | 17W |
| GW 48 009 | 480 | 160 | 75 | 57 | 3 | 8 | 70 | 61 | 63 | 53.5 | 506 | 186 | 80.5 | - | - | - | - | Ø50 | Ø50 | 25W |
| GW 48 010 | 516 | 202 | 90 | 69 | 3 | 9 | 85.5 | 78 | 78 | 70.5 | 543 | 229 | 96 | - | - | - | - | Ø63 | Ø50 | 29W |
| GW 48 011 | 516 | 294 | 90 | 69 | 6 | 4 | 85.5 | 77 | 78 | 70 | 543 | 320 | 96 | - | - | - | - | Ø63 | Ø50 | 30W |